

ATTACCHI E MANDRINI
CHUCKS AND CLAMPING SYSTEMS
ATTAQUES ET MANDRINS
SPANNSYSTEME
BEFOGÓ, TOKMÁNY



6



CHUCKS AND CLAMPING SYSTEM

 M010 p. 467	 M012 p. 467	 M014 p. 468	 M016 p. 468	 M030 p. 469
 M032 p. 469	 M034 p. 470	 M040A p. 470	 M040B p. 471	 M040C p. 471
 M040D p. 472	 M040E p. 472	 M040F p. 473	 M040H p. 473	 M040G p. 474
 M040I p. 474	 M040L p. 475	 M040M p. 475	 M040N p. 476	 M040P p. 476
 M041 p. 477	 M231 p. 478	 M233 p. 479	 M234 p. 480	 M235 p. 481
 M236 p. 482	 M238 p. 483	 M700 p. 484	 M701 p. 484	 M702 p. 485



CHUCKS AND CLAMPING SYSTEM

 M703 p. 485	 M705 p. 486	 M707 p. 486	 M709 p. 487	 M720 p. 487
 M722 p. 488	 M937 p. 488	 M938 p. 489	 M939 p. 489	 M726 p. 490
 M788 p. 491	 M790 p. 491	 M911 p. 492	 M960 p. 492	 M910 p. 493
 M915 p. 494	 M730 p. 495	 M735 p. 495	 M740 p. 496	 M750 p. 497
 M751 p. 497	 M752 p. 498	 M755 p. 498	 M757 p. 499	 M759 p. 499
 M760 p. 500	 M762 p. 500	 M765 p. 501	 M768 p. 502	 M774 p. 502

CHUCKS AND CLAMPING SYSTEM

 <p>M784 p. 503</p>	 <p>M786 p. 503</p>	 <p>M800 p. 504-505</p>	 <p>MTS10 p. 506</p>	 <p>MTS40 p. 507</p>
 <p>B020 p. 508</p>	 <p>B030 p. 509</p>	 <p>B040 p. 510</p>	 <p>B050 p. 511</p>	 <p>B060 p. 511</p>
 <p>B1AC p. 512</p>	 <p>B1BC p. 513</p>	 <p>B1CC p. 514</p>	 <p>B2CC p. 515</p>	 <p>B3CC p. 515</p>
 <p>BRSH p. 516</p>	 <p>BRSN p. 517</p>	 <p>BRST p. 518</p>	 <p>BSYS p. 518</p>	 <p>BZYS p. 519</p>
 <p>BRSZ p. 519</p>				

Mandri per punte intercambiabili

Aufnahmedorn

Mandrins de montage

Патроны для сменных сверел

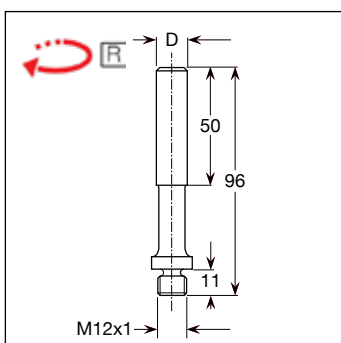
M010

Interchangeable drill-chucks



Ottenuti da acciaio di elevata resistenza meccanica • Da usare con art. P160

Obtained from steel with a high mechanical resistance • It can be used with item nr. P160



● = Ready in stock ■ = Delivery time 20 working days △ = On request

D	Left Code	Right Code	€
13	● M010013AAAAL	● M010013AAAAR	
Spec.	M010099L	M010099R	

TAGLIO / SEZIONATURA
SAWING

DIAMANTE
DIAMOND

FRESATURA
CUTTING

Mandri per punte intercambiabili

Aufnahmedorn

Mandrins de montage

Патроны для сменных сверел

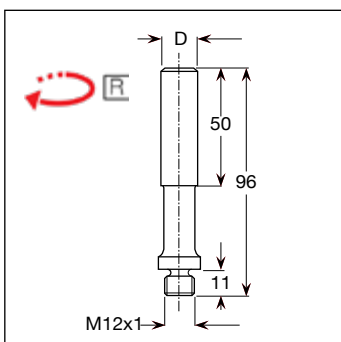
M012

Interchangeable drill-chucks



Ottenuti da acciaio di elevata resistenza meccanica • Da usare con art. P160

Obtained from steel with a high mechanical resistance • It can be used with item nr. P160



● = Ready in stock ■ = Delivery time 20 working days △ = On request

D	Left Code	Right Code	€
16	● M012016AAAAL	● M012016AAAAR	
Spec.	M012099L	M012099R	

PANTOGRAFATURA
ROUTING

FORATURA
BORING

MANDRINI / ATTACCHI
CHUCKS & CLAMPING SYSTEM

RICAMBI E LAVORAZIONI SUPP.
SPARE PARTS & ADD. WORKING

Mandri per punte intercambiabili

Aufnahmedorn

Mandrins de montage

Патроны для сменных сверел

M014

Interchangeable drill-chucks

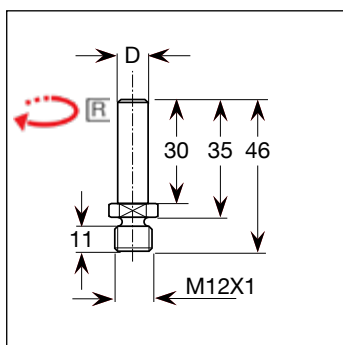


Ottenuti da acciaio di elevata resistenza meccanica • Da usare con art. P160

Obtained from steel with a high mechanical resistance • It can be used with item nr. P160

● = Ready in stock ■ = Delivery time 20 working days △ = On request

D	Code	€
8	● M0140080AAAA	
9,5	● M0140095AAAA	
12	● M0140120AAAA	
Spec.	M014099	



Mandri per punte intercambiabili

Aufnahmedorn

Mandrins de montage

Патроны для сменных сверел

M016

Interchangeable drill-chucks

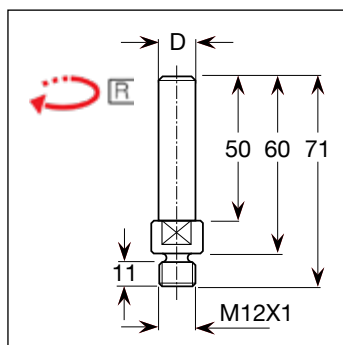


Ottenuti da acciaio di elevata resistenza meccanica • Da usare con art. P160

Obtained from steel with a high mechanical resistance • It can be used with item nr. P160

● = Ready in stock ■ = Delivery time 20 working days △ = On request

D	Code	€
10	● M0160100AAAA	
Spec.	M016099	



TAGLIO / SEZIONATURA
SAWING

DIAMANTE
DIAMOND

FRESATURA
CUTTING

PANTOGRAFATURA
ROUTING

FORATURA
BORING

MANDRINI / ATTACCHI
CHUCKS & CLAMPING SYSTEM

RICAMBI E LAVORAZIONI SUPP.
SPARE PARTS & ADD. WORKING

Mandri per punte intercambiabili

Reduzierfutter

Mandrins de montage

Патроны для сменных сверел

M030

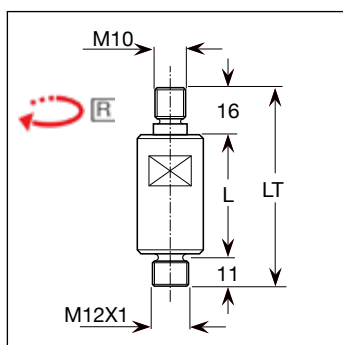
Interchangeable drill-chucks



Ottenuti da acciaio di elevata resistenza meccanica • Da usare con art. P160

Obtained from steel with a high mechanical resistance • It can be used with item nr. P160

● = Ready in stock ■ = Delivery time 20 working days △ = On request



L	LT	Left Code	Right Code	€
15	42	■ M03001542AAL	● M03001542AAR	
25	52	● M03002552AAL	● M03002552AAR	
35	62	● M03003035AAL	● M03003035AAR	
Spec.		M030099L	M030099R	

TAGLIO / SEZIONATURA
SAWING

DIAMANTE
DIAMOND

FRESATURA
CUTTING

PANTOGRAFATURA
ROUTING

Mandri per punte intercambiabili

Reduzierfutter

Mandrins de montage

Патроны для сменных сверел

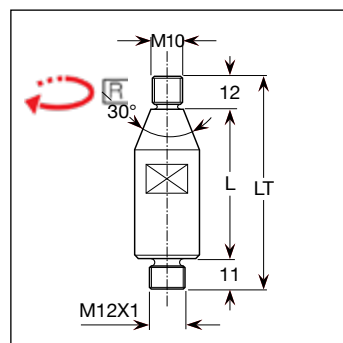
M032

Interchangeable drill-chucks



Ottenuti da acciaio di elevata resistenza meccanica • Da usare con art. P160 • Parti in accoppiamento interamente rettificate in totale rispetto delle norme UNI ed ISO

Obtained from steel with a high mechanical resistance • It can be used with item nr. P160 • Parts in connection completely ground in observance of the UNI and ISO rules



L	LT	Left Code	Right Code	€
25	48	● M03202548AAL	● M03202548AAR	
35	58	● M03203558AAL	● M03203558AAR	
45	68	● M03204568AAL	● M03204568AAR	
Spec.		M032099L	M032099R	

FORATURA
BORING

MANDRINI / ATTACCHI
CHUCKS & CLAMPING SYSTEM

RICAMBI E LAVORAZIONI SUPP.
SPARE PARTS & ADD. WORKING

Mandri per punte intercambiabili

Reduzierfutter

Mandrins de montage

Патроны для сменных сверел

M034

Interchangeable drill-chucks

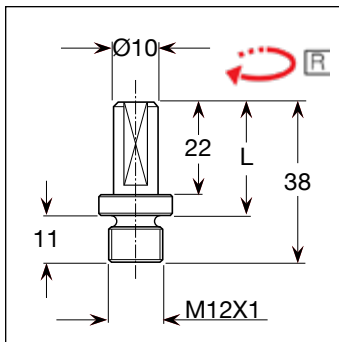


Ottenuti da acciaio di elevata resistenza meccanica • Da usare con art. P160 • Parti in accoppiamento interamente rettificata in totale rispetto delle norme UNI ed ISO

Obtained from steel with a high mechanical resistance • It can be used with item nr. P160 • Parts in connection completely ground in observance of the UNI and ISO rules

● = Ready in stock ■ = Delivery time 20 working days △ = On request

L	Left Code	Right Code	€
27	● M034027AAAAL	● M034027AAAAAR	
Spec.	M034099L	M034099R	



Mandri per punte componibili

Bohrspannfutter

Mandrins de montage

Патроны для сверел

M040A

Reducing chucks

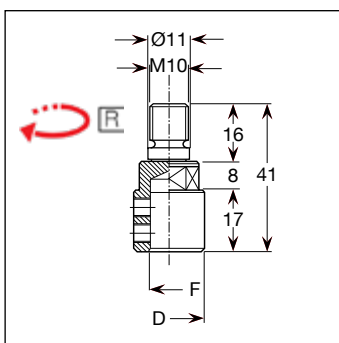


Ottenuti da acciaio di elevata resistenza meccanica • Da montare su macchine foratrici: ALBERTI - BALESTRINI - BIESSE - BUSELLATO - GESSNER - MORBIDELLI - TORWEGGE - VITAP - WEEKE • Parti in accoppiamento interamente rettificata in totale rispetto delle norme UNI ed ISO

Obtained from steel with a high mechanical resistance • Use on the following drilling machines: ALBERTI - BALESTRINI - BIESSE - BUSELLATO - GESSNER - MORBIDELLI - TORWEGGE - VITAP - WEEKE • Parts in connection completely ground in observance of the UNI and ISO rules

● = Ready in stock ■ = Delivery time 20 working days △ = On request

F	D	Left Code	Right Code	€
8	16	● M040008AAAAL	● M040008AAAAAR	
10	19	● M040010AAAAL	● M040010AAAAAR	
Spec.		M040A99	M040A99	



SPARE PARTS


Type	Dimensions	Code	€
Screw	M6X6	● WVGR6	
T allen wr.	3	● ACH003AAAAAA	

Tutti i marchi presenti sono proprietà dei rispettivi proprietari. All trademarks are the property of their respective holders.

 Mandrini per punte componibili

 Bohrspannfutter

 Partie embout fileté

 Патроны для сверел

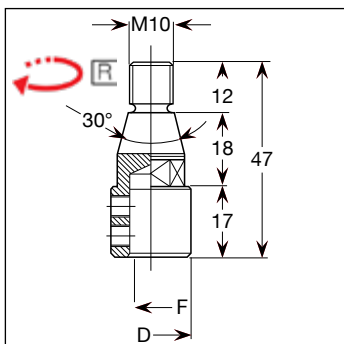


M040B Reducing chucks



Ottenuti da acciaio di elevata resistenza meccanica • Da montare su macchine foratrici: ALBERTI - BALESTRINI - BILEK - BUSELLATO - OMPEC - REIMALL - SCHLICHER -SCM - TANZANI -VICIANI - VITAP - WEINGÄRTER • Parti in accoppiamento interamente rettificate in totale rispetto delle norme UNI ed ISO

Obtained from steel with a high mechanical resistance • Use on the following drilling machines: ALBERTI - BALESTRINI - BILEK - BUSELLATO - OMPEC - REIMALL - SCHLICHER -SCM - TANZANI -VICIANI - VITAP - WEINGÄRTER • Parts in connection completely ground in observance of the UNI and ISO rules



● = Ready in stock ■ = Delivery time 20 working days △ = On request

F	D	Left Code	Right Code	€
8	16	● M040008BAAAL	● M040008BAAAR	
10	19	● M040010BAAAL	● M040010BAAAR	
Spec.		M040B99	M040B99	

SPARE PARTS

Type	Dimensions	Code	€
Screw	M6X6	● WVGR6	
T allen wr.	3	● ACH003AAAAAA	

TAGLIO / SEZIONATURA
SAWING

DIAMANTE
DIAMOND

FRESATURA
CUTTING


PANTOGRAFATURA
ROUTING

FORATURA
BORING


MANDRINI / ATTACCHI
CHUCKS & CLAMPING SYSTEM

RICAMBI E LAVORAZIONI SUPP.
SPARE PARTS & ADD. WORKING

 Mandrini per punte componibili

 Bohrspannfutter

 Partie embout fileté

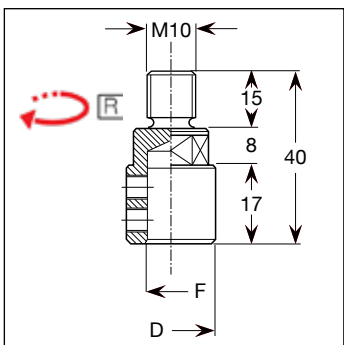
 Патроны для сверел

M040C Reducing chucks



Ottenuti da acciaio di elevata resistenza meccanica • Da montare su macchine foratrici: AYEN - HOLZMA - KNOEVE-NAGEL - MAYER - TORWEGGE • Parti in accoppiamento interamente rettificate in totale rispetto delle norme UNI ed ISO

Obtained from steel with a high mechanical resistance • Use on the following drilling machines: AYEN - HOLZMA - KNOEVENAGEL - MAYER - TORWEGGE • Parts in connection completely ground in observance of the UNI and ISO rules



● = Ready in stock ■ = Delivery time 20 working days △ = On request

F	D	Left Code	Right Code	€
8	16	● M040008CAAAL	● M040008CAAAR	
10	19	● M040010CAAAL	● M040010CAAAR	
Spec.		M040C99	M040C99	

SPARE PARTS

Type	Dimensions	Code	€
Screw	M6X6	● WVGR6	
T allen wr.	3	● ACH003AAAAAA	

Tutti i marchi presenti sono proprietà dei rispettivi proprietari. All trademarks are the property of their respective holders.

Mandri per punte componibili

Bohrspannfutter

Partie embout fileté

Патроны для сверел

M040D

Reducing chucks



Ottenuti da acciaio di elevata resistenza meccanica • Da montare su macchine foratrici: **NOTTMEYER** • Parti in accoppiamento interamente rettificate in totale rispetto delle norme UNI ed ISO

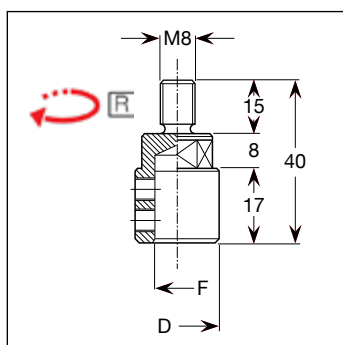
Obtained from steel with a high mechanical resistance • Use on the following drilling machines: **NOTTMEYER** • Parts in connection completely ground in observance of the UNI and ISO rules

● = Ready in stock ■ = Delivery time 20 working days △ = On request

F	D	Left Code	Right Code	€
8	15,5	● M040008DAAAL	● M040008DAAAR	
10	19	● M040010DAAAL	● M040010DAAAR	
Spec.		M040D99	M040D99	

SPARE PARTS

Type	Dimensions	Code	€
Screw	M6X6	● WVGR6	
T allen wr.	3	● ACH003AAAAAA	



Mandri per punte componibili

Bohrspannfutter

Partie embout fileté

Патроны для сверел

M040E

Reducing chucks



Ottenuti da acciaio di elevata resistenza meccanica • Da montare su macchine foratrici: **BILEK – KNOEVENAGEL** • Parti in accoppiamento interamente rettificate in totale rispetto delle norme UNI ed ISO

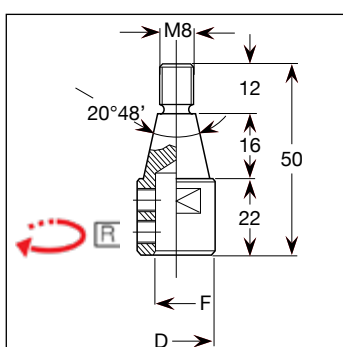
Obtained from steel with a high mechanical resistance • Use on the following drilling machines: **BILEK - KNOEVENAGEL** • Parts in connection completely ground in observance of the UNI and ISO rules

● = Ready in stock ■ = Delivery time 20 working days △ = On request

F	D	Left Code	Right Code	€
8	15,5	● M040008EAAAL	● M040008EAAAR	
10	19	● M040010EAAAL	● M040010EAAAR	
Spec.		M040E99	M040E99	

SPARE PARTS

Type	Dimensions	Code	€
Screw	M6X6	● WVGR6	
T allen wr.	3	● ACH003AAAAAA	



Tutti i marchi presenti sono proprietà dei rispettivi proprietari. All trademarks are the property of their respective holders.

Mandri per punte componibili

Bohrspannfutter

Partie embout fileté

Патроны для сверел



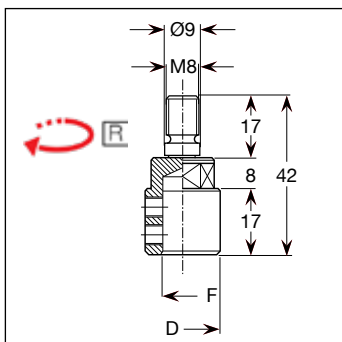
M040F

Reducing chucks



Ottenuti da acciaio di elevata resistenza meccanica • Da montare su macchine foratrici: MORBIDELLI - NOTTMEYER - ZANGHERI - BOSCHETTI • Parti in accoppiamento interamente rettificate in totale rispetto delle norme UNI ed ISO

Obtained from steel with a high mechanical resistance • Use on the following drilling machines: MORBIDELLI - NOTTMEYER - ZANGHERI - BOSCHETTI • Parts in connection completely ground in observance of the UNI and ISO rules



● = Ready in stock ■ = Delivery time 20 working days △ = On request

F	D	Left Code	Right Code	€
8	15,5	● M040008FAAAL	● M040008FAAAR	
10	19	● M040010FAAAL	● M040010FAAAR	
Spec.		M040F99	M040F99	

SPARE PARTS

Type	Dimensions	Code	€
Screw	M6X6	● WVGR6	
T allen wr.	3	● ACH003AAAAAA	

TAGLIO / SEZIONATURA
SAWING

DIAMANTE
DIAMOND

FRESATURA
CUTTING

PANTOGRAFATURA
ROUTING

Mandri per punte componibili

Bohrspannfutter

Partie embout fileté

Патроны для сверел

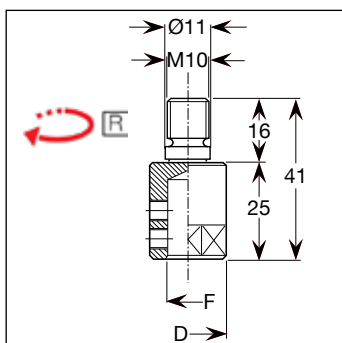
M040H

Reducing chucks



Ottenuti da acciaio di elevata resistenza meccanica • Da montare su macchine foratrici: ALBERTI - BALESTRINI - BIESSE - BUSELLATO - GESSNER - MORBIDELLI - TORWEGGE - VITAP - WEEKE • Parti in accoppiamento interamente rettificate in totale rispetto delle norme UNI ed ISO

Obtained from steel with a high mechanical resistance • Use on the following drilling machines: ALBERTI - BALESTRINI - BIESSE - BUSELLATO - GESSNER - MORBIDELLI - TORWEGGE - VITAP - WEEKE • Parts in connection completely ground in observance of the UNI and ISO rules



● = Ready in stock ■ = Delivery time 20 working days △ = On request

F	D	Left Code	Right Code	€
10	19	● M040010HAAAL	● M040010HAAAR	
Spec.		M040H99	M040H99	

SPARE PARTS

Type	Dimensions	Code	€
Screw	M6X6	● WVGR6	
T allen wr.	3	● ACH003AAAAAA	

FORATURA
BORING

MANDRINI / ATTACCHI
CHUCKS & CLAMPING SYSTEM

RICAMBI E LAVORAZIONI SUPP.
SPARE PARTS & ADD. WORKING

Mandri per punte componibili con attacco rapido

Bohr-Schnellspannfutter

Mandrin à montage rapide

Быстрозажимные патроны для сверел

M040G

Quick changing chucks

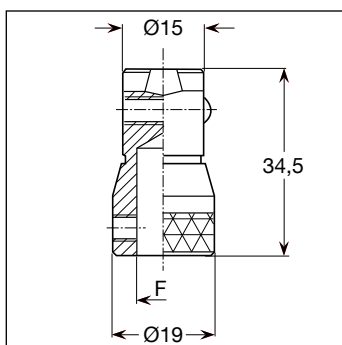


Ottenuti da acciaio di elevata resistenza meccanica • Da montare su macchine foratrici: BUSELLATO • Parti in accoppiamento interamente rettificate in totale rispetto delle norme UNI ed ISO

Obtained from steel with a high mechanical resistance • Use on the following drilling machines: BUSELLATO • Parts in connection completely ground in observance of the UNI and ISO rules

● = Ready in stock ■ = Delivery time 20 working days △ = On request

F	Code	€
10	● M040010GAAAR	
Spec.	M040G99	



Mandri per punte componibili con attacco rapido

Bohr-Schnellspannfutter

Mandrin à montage rapide

Быстрозажимные патроны для сверел

M040I

Quick changing chucks

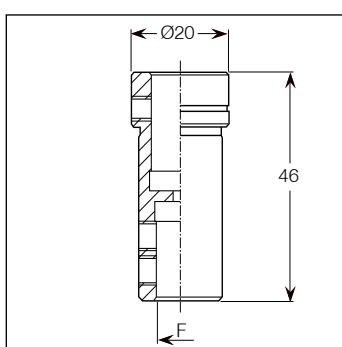


Ottenuti da acciaio di elevata resistenza meccanica • Da montare su macchine foratrici: WEEKE • Parti in accoppiamento interamente rettificate in totale rispetto delle norme UNI ed ISO

Obtained from steel with a high mechanical resistance • Use on the following drilling machines: WEEKE • Parts in connection completely ground in observance of the UNI and ISO rules

● = Ready in stock ■ = Delivery time 20 working days △ = On request


F	Code	€
10	● M040010IAAAR	
Spec.	M040I99	




Tutti i marchi presenti sono proprietà dei rispettivi proprietari. All trademarks are the property of their respective holders.

 Mandrini per punte componibili con attacco rapido

 Bohr-Schnellspannfutter

 Mandrins à montage rapide

 Быстрозажимные патроны для сверел



TAGLIO / SEZIONATURA
SAWING

DIAMANTE
DIAMOND

FRESATURA
CUTTING

PANTOGRAFATURA
ROUTING

FORATURA
BORING

MANDRINI / ATTACCHI
CHUCKS & CLAMPING SYSTEM

RICAMBI E LAVORAZIONI SUPP.
SPARE PARTS & ADD. WORKING

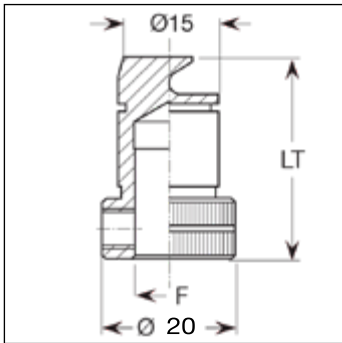
M040L Quick changing chucks



Ottenuti da acciaio di elevata resistenza meccanica • Da montare su macchine foratrici: BIESSE • Parti in accoppiamento interamente rettificato in totale rispetto delle norme UNI ed ISO


Obtained from steel with a high mechanical resistance • Use on the following drilling machines: BIESSE • Parts in connection completely ground in observance of the UNI and ISO rules


● = Ready in stock ■ = Delivery time 20 working days △ = On request




F	LT	Code	€
10	37	● M040010L37AR	
Spec.		M040L99	

 Mandrini per punte componibili con attacco rapido

 Bohr-Schnellspannfutter

 Mandrins à montage rapide

 Быстрозажимные патроны для сверел

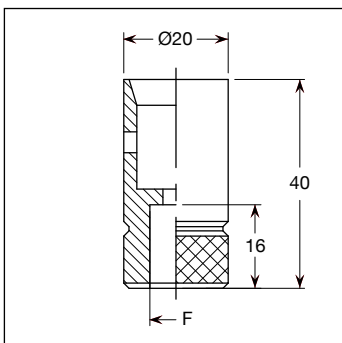
M040M Quick changing chucks



Ottenuti da acciaio di elevata resistenza meccanica • Da montare su macchine foratrici: MAGGI – MASTEWOOD – GRIGGIO • Parti in accoppiamento interamente rettificato in totale rispetto delle norme UNI ed ISO

Obtained from steel with a high mechanical resistance • Use on the following drilling machines: MAGGI - MASTEWOOD - GRIGGIO • Parts in connection completely ground in observance of the UNI and ISO rules

● = Ready in stock ■ = Delivery time 20 working days △ = On request



F	Code	€
10	● M040010MAAAR	
Spec.	M040M99	

Tutti i marchi presenti sono proprietà dei rispettivi proprietari. All trademarks are the property of their respective holders.

Mandri per punte componibili

Bohr-Schnellspannfutter

Mandrins de montage

Быстрозажимные патроны для сверел

M040N

Reducing chucks

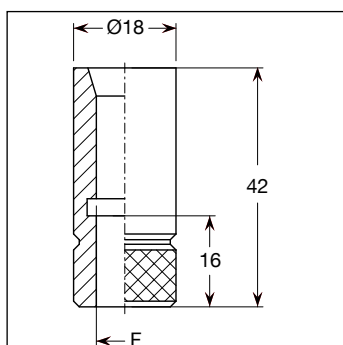


Ottenuti da acciaio di elevata resistenza meccanica • Da montare su macchine foratrici: VITAP • Parti in accoppiamento interamente rettificate in totale rispetto delle norme UNI ed ISO

Obtained from steel with a high mechanical resistance • Use on the following drilling machines: VITAP • Parts in connection completely ground in observance of the UNI and ISO rules

● = Ready in stock ■ = Delivery time 20 working days △ = On request

F	Code	€
10	● M040010NAAAR	
Spec.	M040N99	



Mandri per punte componibili

Bohr-Schnellspannfutter

Mandrins de montage

Быстрозажимные патроны для сверел

M040P

Reducing chucks

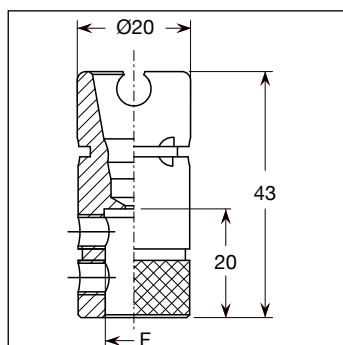


Ottenuti da acciaio di elevata resistenza meccanica • Da montare su macchine foratrici: MORBIDELLI • Parti in accoppiamento interamente rettificate in totale rispetto delle norme UNI ed ISO

Obtained from steel with a high mechanical resistance • Use on the following drilling machines: MORBIDELLI • Parts in connection completely ground in observance of the UNI and ISO rules

● = Ready in stock ■ = Delivery time 20 working days △ = On request

F	Code	€
10	● M040010PAAAR	
Spec.	M040P99	



Tutti i marchi presenti sono proprietà dei rispettivi proprietari. All trademarks are the property of their respective holders.

Mandri elastici
per punte elicoidali

Spannzange
für Bohrspannfutter

Douilles fendues avec méplat
sur queue

Переходная втулка для
сверел

M041

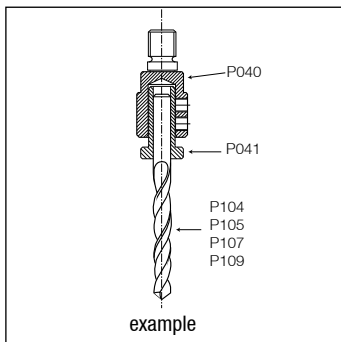
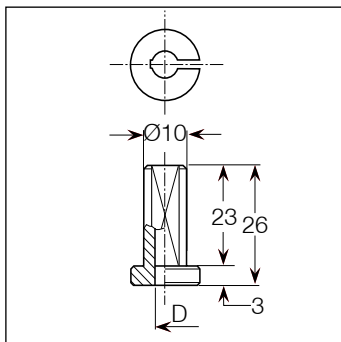
Spring chucks for twist drills



Ottenuti da acciaio di elevata resistenza meccanica • Per montare punte art. P104 – P105 – P107 – P109 su mandrini portapunte M040 • Parti in accoppiamento interamente rettificate in totale rispetto delle norme UNI ed ISO

Obtained from steel with a high mechanical resistance • Use with drills item nr. P104 - P105 - P107 - P109 on reducing chucks M040 • Parts in connection completely ground in observance of the UNI and ISO rules

● = Ready in stock ■ = Delivery time 20 working days △ = On request



D	Code	€
2	● M041020AAAAA	
2,5	● M041025AAAAA	
3	● M041030AAAAA	
3,2	● M041032AAAAA	
3,5	● M041035AAAAA	
4	● M041040AAAAA	
4,5	● M041045AAAAA	
5	● M041050AAAAA	
5,5	● M041055AAAAA	
6	● M041060AAAAA	
6,5	● M041065AAAAA	
7	● M041070AAAAA	
7,5	● M041075AAAAA	
8	● M041080AAAAA	
Spec.	M041099	

TAGLIO / SEZIONATURA
SAWING

DIAMANTE
DIAMOND

FRESATURA
CUTTING

PANTOGRAFATURA
ROUTING

FORATURA
BORING

MANDRINI / ATTACCHI
CHUCKS & CLAMPING SYSTEM

RICAMBI E LAVORAZIONI SUPP.
SPARE PARTS & ADD. WORKING



Pinze elastiche ad elevata precisione DIN6499

Spannzange ER25

Pinces de serrage pour mandrins de défonceuse DIN6499

Цанги высокоточные ER25

TAGLIO / SEZIONATURA
SAWING

DIAMANTE
DIAMOND

FRESATURA
CUTTING

PANTOGRAFATURA
ROUTING

FORATURA
BORING

MANDRINI / ATTACCHI
CHUCKS & CLAMPING SYSTEM

RICAMBI E LAVORAZIONI SUPP.
SPARE PARTS & ADD. WORKING

M231

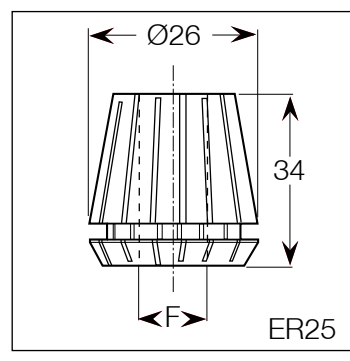
High precision collets



Ottenute da acciaio di elevata resistenza meccanica • Con tagli assiali intercalati • Elevato campo di serraggio • Parti in accoppiamento interamente rettificate • Abbinabili a mandrini M709

Obtained from steel with a high mechanical resistance • Axial cuts interspersed • High clamping range • To use with chucks M709 • Parts in connection completely ground

● = Ready in stock ■ = Delivery time 20 working days △ = On request



F	Code	€
5-4	■ M23100504AAA	
6-5	■ M23100605AAA	
7-6	■ M23100706AAA	
8-7	■ M23100807AAA	
9-8	■ M23100908AAA	
10-9	■ M23101009AAA	
11-10	■ M23101110AAA	
12-11	■ M23101211AAA	
13-12	■ M23101312AAA	
14-13	■ M23101413AAA	
16-15	■ M23101615AAA	
Spec.	M231099	



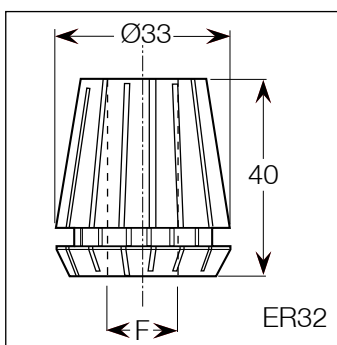
M233

High precision collets



Ottenute da acciaio di elevata resistenza meccanica • Con tagli assiali intercalati • Elevato campo di serraggio • Parti in accoppiamento interamente rettificate • Abbinabili a mandrini art. M700 – M701 – M702 – M703 – M705 – M720 – M722 – M726

Obtained from steel with a high mechanical resistance • Axial cuts interspersed • High clamping range • Parts in connection completely ground • To use with chucks M700 – M701 – M702 – M703 – M705 – M720 – M722 – M726



● = Ready in stock ■ = Delivery time 20 working days △ = On request

F	Code	€
3-2	● M23300302AAA	
4-3	● M23300403AAA	
5-4	● M23300504AAA	
6-5	● M23300605AAA	
7-6	● M23300706AAA	
8-7	● M23300807AAA	
9-8	● M23300908AAA	
3/8"	● M23300308AAA	
10-9	● M23301009AAA	
12-11	● M23301211AAA	
13-12	● M23301312AAA	
14-13	● M23301413AAA	
16-15	● M23301615AAA	
18-17	● M23301817AAA	
20-19	● M23302019AAA	
Spec.	M233099	

TAGLIO / SEZIONATURA
SAWING

DIAMANTE
DIAMOND

FRESATURA
CUTTING

PANTOGRAFATURA
ROUTING

FORATURA
BORING


MANDRINI / ATTACCHI
CHUCKS & CLAMPING SYSTEM


RICAMBI E LAVORAZIONI SUPP.
SPARE PARTS & ADD. WORKING



 Pinze elastiche ad elevata precisione DIN6499

 Spannzange ER40

 Pincés de serrage pour mandrins de défonceuse DIN6499

 Цанги высокоточные ER40

TAGLIO / SEZIONATURA
SAWING

DIAMANTE
DIAMOND

FRESATURA
CUTTING

PANTOGRAFATURA
ROUTING

FORATURA
BORING

MANDRINI / ATTACCHI
CHUCKS & CLAMPING SYSTEM

RICAMBI E LAVORAZIONI SUPP.
SPARE PARTS & ADD. WORKING

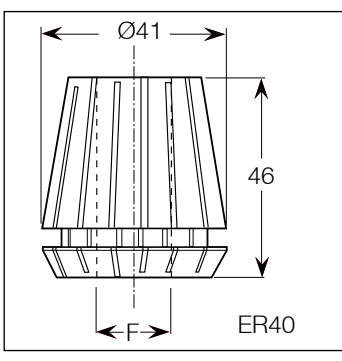
M234

High precision collets



Ottenute da acciaio di elevata resistenza meccanica • Con tagli assiali intercalati • Elevato campo di serraggio • Parti in accoppiamento interamente rettificate • Abbinabili a mandrini art. M700 – M701 – M702 – M703 – M705 – M707 – M720 – M722

Obtained from steel with a high mechanical resistance • Axial cuts interspersed • High clamping range • To use with chucks M700 - M701 - M702 - M703 - M705 - M707 - M720 - M722 • Parts in connection completely ground



● = Ready in stock ■ = Delivery time 20 working days △ = On request

F	Code	€
4-3	● M23400403AAA	
5-4	● M23400504AAA	
6-5	● M23400605AAA	
8-7	● M23400807AAA	
10-9	● M23401009AAA	
12-11	● M23401211AAA	
14-13	● M23401413AAA	
16-15	● M23401615AAA	
18-17	● M23401817AAA	
20-19	● M23402019AAA	
25-14	● M23402524AAA	
30	● M23403029AAA	
Spec.	M234099	

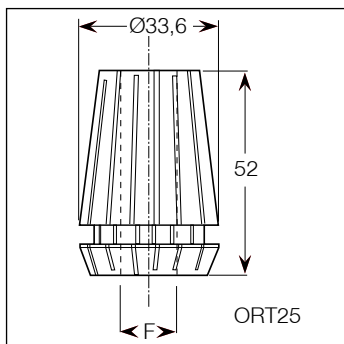


M235 High precision collets



Ottenute da acciaio di elevata resistenza meccanica • Con tagli assiali intercalati • Elevato campo di serraggio • Parti in accoppiamento interamente rettificate • Abbinabili a mandrini art. M700 – M701 – M703 – M705 – M707 – M720

Obtained from steel with a high mechanical resistance • Axial cuts interspersed • High clamping range • To use with chucks M700 - M701 - M703 - M705 - M707 - M720 • Parts in connection completely ground



● = Ready in stock ■ = Delivery time 20 working days △ = On request

F	Code	€
4-3	● M23500403AAA	
5-4	● M23500504AAA	
6-5	● M23500605AAA	
8-7	● M23500807AAA	
9,5-8,5	● M23500308AAA	
10-9	● M23501009AAA	
12-11	● M23501211AAA	
14-13	● M23501413AAA	
16-15	● M23501615AAA	
18-17	● M23501817AAA	
20-19	● M23502019AAA	
25-24	● M23502524AAA	
Spec.	M235099	

TAGLIO / SEZIONATURA
SAWING

DIAMANTE
DIAMOND

FRESATURA
CUTTING

PANTOGRAFATURA
ROUTING

FORATURA
BORING

MANDRINI / ATTACCHI
CHUCKS & CLAMPING SYSTEM

RICAMBI E LAVORAZIONI SUPP.
SPARE PARTS & ADD. WORKING

Pinze elastiche
ad elevata precisione
DIN69893

Spannzange ORT25

Pinces élastiques
de haute précision

Цанги высокоточные ORT25

M236

Very high precision collets DIN69893

TAGLIO / SEZIONATURA
SAWING

DIAMANTE
DIAMOND

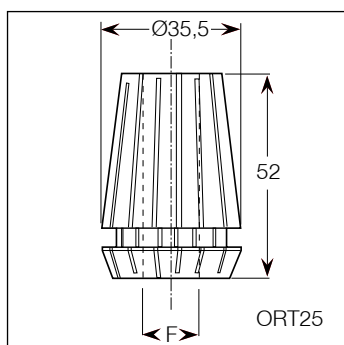
FRESATURA
CUTTING

PANTOGRAFATURA
ROUTING

FORATURA
BORING

MANDRINI / ATTACCHI
CHUCKS & CLAMPING SYSTEM

RICAMBI E LAVORAZIONI SUPP.
SPARE PARTS & ADD. WORKING



Ottenute da acciaio di elevata resistenza meccanica • Con tagli assiali intercalati • Elevata precisione di serraggio • Parti in accoppiamento interamente rettificata • Abbinabili a mandrini art. M937

Obtained from steel with a high mechanical resistance • Axial cuts interspersed • High clamping precision • Parts in connection completely ground • To use with chucks M937

● = Ready in stock ■ = Delivery time 20 working days △ = On request

F	Code	€
3-2,5	● M236103025AA	
4-3,5	● M236104035AA	
6-5,5	● M236106055AA	
8-7,5	● M236108075AA	
10-9,5	● M236110095AA	
12-11,5	● M236112115AA	
14-13,5	● M236114135AA	
16-15,5	● M236116155AA	
18-17,5	● M236118175AA	
20-19,5	● M236120195AA	
25-24,5	● M236125245AA	
Spec.	M236099	

M238

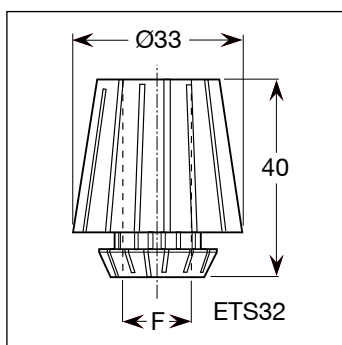
High precision collets



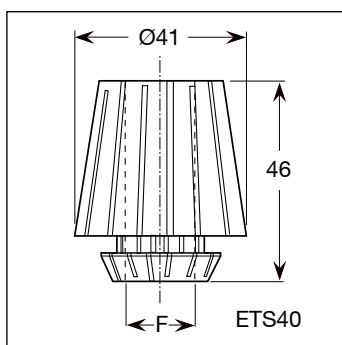
Ottenute da acciaio di elevata resistenza meccanica • Con tagli assiali intercalati • Elevato campo di serraggio • Parti in accoppiamento interamente rettificate • Abbinabili a mandrini art. M700 – M701 – M702 – M703 – M705 – M707 – M720 – M722 – M726 mediante ghiera M730 ETS

Obtained from steel with a high mechanical resistance • Axial cuts interspersed • High clamping range • To use with chucks M700 – M701 – M702 – M703 – M705 – M707 – M720 – M722 – M726 with ring nut M730 ETS • Parts in connection completely ground

● = Ready in stock ■ = Delivery time 20 working days △ = On request



F	Code	€
4-3	● M23800403S32	
6-5	● M23800605S32	
8-7	● M23800807S32	
10-9	● M23801009S32	
12-11	● M23801211S32	
14-13	● M23801413S32	
16-15	● M23801615S32	
18-17	● M23801817S32	
20-19	● M23802019S32	
Spec.	M238099	



F	Code	€
4-3	● M23800403S40	
6-5	● M23800605S40	
8-7	● M23800807S40	
10-9	● M23801009S40	
12-11	● M23801211S40	
14-13	● M23801413S40	
16-15	● M23801615S40	
18-17	● M23801817S40	
20-19	● M23802019S40	
Spec.	M238099	

Mandrini centrici SK30 DIN69871

Spannzangenfutter SK30 DIN69871

Mandrins concentriques à pince SK30 DIN69871

Патроны высокоточные SK30 DIN69871

M700

Draw in collect chucks SK30 DIN69871



Ottenuti da acciaio di elevata qualità • Parti in accoppiamento interamente rettificate • Altissima precisione con perfetto centraggio dell'utensile • Adatti per l'utilizzo di utensili con attacco cilindrico mediante pinze art. M233 – M234 – M235 • La pinza non è inclusa nel mandrino • Utilizzabili su macchine BIESSE

Obtained from high quality steel • Parts in connection completely ground • High precision with perfect alignment of the tool • Use with cylindrical shank router bits • Mount high precision collect item M233 - M234 - M235 • High precision collect is not included in the chuck • To mount on BIESSE machines

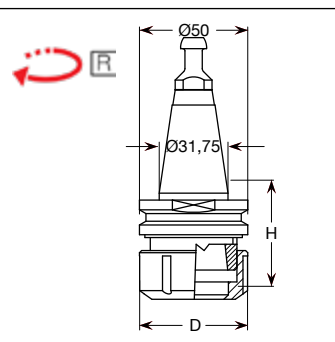
● = Ready in stock ■ = Delivery time 20 working days △ = On request

D	H	H.P.Collect	Left Code	€	Right Code	€
50	49	ER32	■ M7000R2550AL		● M7000R2550AR	
63	57	ER40	■ M7000R4063AL		● M7000R4063AR	
60	57	ORT25	■ M7000R2560AL		● M7000R2560AR	

Spec. M700099L M700099R

SPARE PARTS

Type	Code	€
Retaining bolt BIESSE	● M8000AAAAA3	
Wrench for ring nut 52/55	● ACH052AAAAAA	
Wrench for ring nut 58/62	● ACH058AAAAAA	



Mandrini centrici SK30

Spannzangenfutter SK30

Mandrins concentriques SK30

Патроны высокоточные SK30

M701

Draw in collect chucks SK30



Ottenuti da acciaio di elevata qualità • Parti in accoppiamento interamente rettificate • Altissima precisione con perfetto centraggio dell'utensile • Adatte per l'utilizzo di utensili con attacco cilindrico mediante pinze art. M233 – M234 – M235 • La pinza non è inclusa nel mandrino • Utilizzabili su macchine CMS

Obtained from high quality steel • Parts in connection completely ground • High precision with perfect alignment of the tool • Use with cylindrical shank router bits • Mount high precision collect item M233 - M234 - M235 • High precision collect is not included in the chuck • To mount on CMS machines

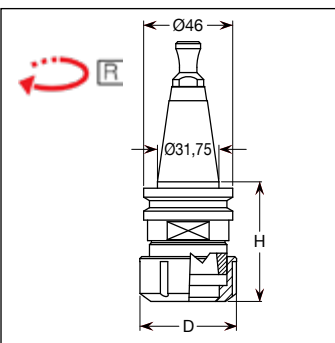
● = Ready in stock ■ = Delivery time 20 working days △ = On request

D	H	H.P.Collect	Left Code	€	Right Code	€
50	60	ER32	■ M7010R2550SL		● M7010R2550SR	
63	65	ER40	■ M7010R4063SL		● M7010R4063SR	
60	70	ORT25	■ M7010T2560AL		● M7010T2560AR	

Spec. M701099L M701099R

SPARE PARTS

Type	Code	€
Retaining bolt CMS	● M8000AAAAA9	
Wrench for ring nut 52/55	● ACH052AAAAAA	
Wrench for ring nut 58/62	● ACH058AAAAAA	



Tutti i marchi presenti sono proprietà dei rispettivi proprietari. All trademarks are the property of their respective holders.

Mandri centri SK30

Spannzangenfutter SK30

Mandri concentriques SK30

Патроны высокоточные SK30

M702

Draw in collect chucks SK30



Ottenuti da acciaio di elevata qualità • Parti in accoppiamento interamente rettificate • Altissima precisione con perfetto centraggio dell'utensile • Adatti per l'utilizzo con attacco cilindrico mediante pinze art. M233 – M234 • La pinza non è inclusa nel mandrino • Utilizzabili su macchine ESSETEAM – UNITEAM

Obtained from high quality steel • Parts in connection completely ground • High precision with perfect alignment of the tool • Use with cylindrical shank router bits • Mount high precision collect item M233 - M234 • High precision collect is not included in the chuck • To mount on ESSETEAM - UNITEAM machines

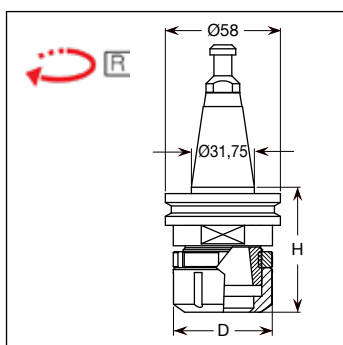
● = Ready in stock ■ = Delivery time 20 working days △ = On request

D	H	H.P.Collect	Left Code	€	Right Code	€
50	63	ER32	■ M7020R3250AL		● M7020R3250RL	
63	65	ER40	■ M7020R4063AL		● M7020R4063RL	

Spec.	M702099L	M702099R

SPARE PARTS

Type	Code	€
Retaing bolt	● M8000AAAAA2	
Retaing bolt	● M8000AAAAA4	
Wrench for ring nut 52/55	● ACH052AAAAAA	
Wrench for ring nut 58/62	● ACH058AAAAAA	



Mandri centri SK30

Spannzangenfutter SK30

Mandri concentriques SK30

Патроны высокоточные SK30

M703

Draw in collect chucks SK30



Ottenuti da acciaio di elevata qualità • Parti in accoppiamento interamente rettificate • Altissima precisione con perfetto centraggio dell'utensile • Adatti per l'utilizzo di utensili con attacco cilindrico mediante pinze art. M233 – M234 – M235 • La pinza non è inclusa nel mandrino • Utilizzabili su macchine WEEKE

Obtained from high quality steel • Parts in connection completely ground • High precision with perfect alignment of the tool • Use with cylindrical shank router bits • Mount high precision collect item M233 - M234 - M235 • High precision collect is not included in the chuck • To mount on WEEKE machines

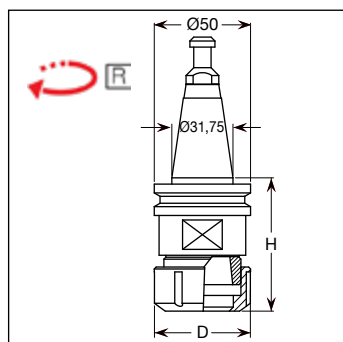
● = Ready in stock ■ = Delivery time 20 working days △ = On request

D	H	H.P.Collect	Left Code	€	Right Code	€
50	68	ER32	■ M7030R3250AL		● M7030R3250AR	
63	68	ER40	■ M7030R4063AL		● M7030R4063AR	
60	70	ORT25	■ M7030T2560AL		● M7030T2560AR	

Spec.	M703099L	M703099R

SPARE PARTS

Type	Code	€
Retaing bolt	● M8000AAAAA2	
Wrench for ring nut 52/55	● ACH052AAAAAA	
Wrench for ring nut 58/62	● ACH058AAAAAA	





Mandriini centrici SK30 con flangia dentata



Spannzangenfutter SK30



Mandriins concentriques à pince SK30 cranté



Патроны высокоточные SK30

TAGLIO / SEZIONATURA
SAWING

DIAMANTE
DIAMOND

FRESATURA
CUTTING

PANTOGRAFATURA
ROUTING

FORATURA
BORING

MANDRINI / ATTACCHI
CHUCKS & CLAMPING SYSTEM

RICAMBI E LAVORAZIONI SUPP.
SPARE PARTS & ADD. WORKING

M705

Draw in collect chucks SK30



Ottenuti da acciaio di elevata qualità • Parti in accoppiamento interamente rettificate • Altissima precisione con perfetto centraggio dell'utensile • Adatti per l'utilizzo di utensili con attacco cilindrico mediante pinze art. M233 - M234 - M235 • La pinza non è inclusa nel mandrino • Utilizzabili su macchine SCM e MORBIDELLI

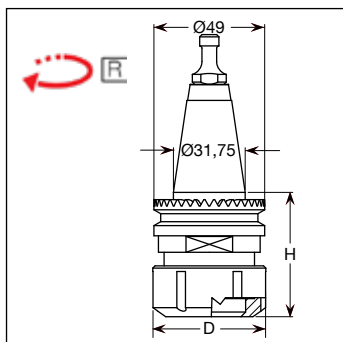
Obtained from high quality steel • Parts in connection completely ground • High precision with perfect alignment of the tool • Use with cylindrical shank router bits • Mount high precision collect item M233 - M234 - M235 • High precision collect is not included in the chuck • To mount on SCM - MORBIDELLI machines

● = Ready in stock ■ = Delivery time 20 working days △ = On request

D	H	H.P.Collect	Left Code	€	Right Code	€
60	55	ER32	■ M7050R3250AL		● M7050R3250AR	
63	72	ER40	■ M7050R4063AL		● M7050R4063AR	
60	72	ORT25	■ M7050T2560AL		● M7050T2560AR	
Spec.			M705099L		M705099R	

SPARE PARTS

Type	Code	€
Retaining bolt MORBIDELLI - SCM	● M8000AAAAA1	
Wrench for ring nut 52/55	● ACH052AAAAAA	
Wrench for ring nut 58/62	● ACH058AAAAAA	



Mandriini centrici SK40 DIN69871



Spannzangenfutter SK40



Mandriins concentriques SK40 DIN69871



Патроны SK30 DIN69871

M707

Draw in collect chucks SK40 DIN69871



Ottenuti da acciaio di elevata qualità • Parti in accoppiamento interamente rettificate • Altissima precisione con perfetto centraggio dell'utensile • Adatti per l'utilizzo di utensili con attacco cilindrico mediante pinze art. M234 - M235 • La pinza non è inclusa nel mandrino • Utilizzabili su macchine IMA - MAKA - REICHEMBACHER - STEGHERR - WEEKE

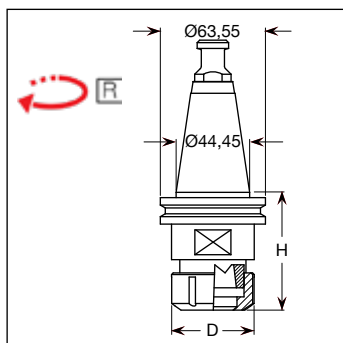
Obtained from high quality steel • Parts in connection completely ground • High precision with perfect alignment of the tool • Use with cylindrical shank router bits • Mount high precision collect item M234 - M235 • High precision collect is not included in the chuck • To mount on IMA - MAKA - REICHEMBACHER - STEGHERR - WEEKE machines

● = Ready in stock ■ = Delivery time 20 working days △ = On request

D	H	H.P.Collect	Left Code	€	Right Code	€
63	68	ER40	■ M7070R4063AL		● M7070R4063AR	
60	74	ORT25	■ M7070T2560AL		● M7070T2560AR	
Spec.			M707099L		M707099R	

SPARE PARTS

Type	Code	€
Retaining bolt	● M8000AAAAA8	
Wrench for ring nut 52/55	● ACH052AAAAAA	
Wrench for ring nut 58/62	● ACH058AAAAAA	



Tutti i marchi presenti sono proprietà dei rispettivi proprietari. All trademarks are the property of their respective holders.

Mandri centri ER40

Spannzangenfutter ER40

Mandrins concentriques ER40

Патроны ER40

M709

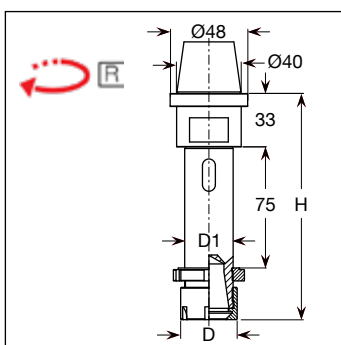
Draw in collect chucks ER40



Ottenuti da acciaio di elevata qualità • Parti in accoppiamento interamente rettificate • Altissima precisione con perfetto centraggio dell'utensile • Adatti per l'utilizzo di utensili con attacco cilindrico mediante pinze art. M231 e/o frese • La pinza non è inclusa nel mandrino • Utilizzabili su macchine BACCI

Obtained from high quality steel • Parts in connection completely ground • High precision with perfect alignment of the tool • Use with cylindrical shank router bits • Mount high precision collect item M231 and/or cutters • High precision collect is not included in the chuck • To mount on BACCI machines

● = Ready in stock ■ = Delivery time 20 working days △ = On request



D	D1	H	Left Code	€	Right Code	€
35	30	140	■ M7090R2535AL		■ M7090R2535AR	
Spec.			M709099L		M709099R	

SPARE PARTS

Type	Left Code	Right Code	€
Collet nut	■ M7300ER25AAL	■ M7300ER25AAR	
Ring nut for spindle	■ M74004408AAL	■ M74004408AAR	
Wrench for ring nut h.p.collect 34/36		■ ACH034AAAAAA	

Mandri centri HSK 63F DIN69893

Spannzangenfutter HSK 63F DIN69893

Mandrins concentriques à pince HSK 63F DIN69893

Патроны HSK 63F DIN69893

M720

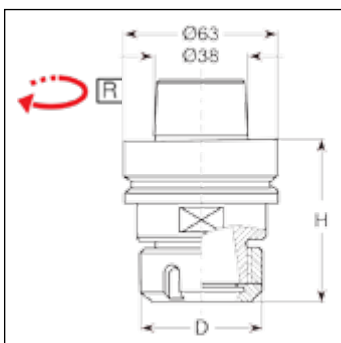
Draw in collect chucks HSK 63F DIN69893



Ottenuti da acciaio di elevata qualità • Parti in accoppiamento interamente rettificate • Altissima precisione con perfetto centraggio dell'utensile • Adatti per l'utilizzo di utensili con attacco cilindrico mediante pinze art. M233 - M234 - M235 • La pinza non è inclusa nel mandrino • Utilizzabili su macchine BIESSE - IMA - MASTERWOD - MORBIDELLI - SCM - WEEKE

Obtained from high quality steel • Parts in connection completely ground • High precision with perfect alignment of the tool • Use with cylindrical shank router bits • Mount high precision collect item M233 - M234 - M235 • High precision collect is not included in the chuck • To mount on BIESSE - IMA - MASTERWOOD - MORBIDELLI - SCM - WEEKE machines

● = Ready in stock ■ = Delivery time 20 working days △ = On request



D	H	H.P.Collect	Left Code	€	Right Code	€
50	73	ER32	■ M7200R3250AL		● M7200R3250AR	
63	76	ER40	■ M7200R4063AL		● M7200R4063AR	
60	76	ORT25	■ M7200T2560AL		● M7200T2560AR	
Spec.			M720099L		M720099R	

SPARE PARTS

Type	Code	€
Wrench for ring nut 52/55	● ACH052AAAAAA	
Wrench for ring nut 58/62	● ACH058AAAAAA	

Mandrini centrici
HSK 63E DIN69893

Spannzangenfutter
HSK 63E DIN69893

Mandrins concentriques
à pince HSK 63E DIN69893

Патроны HSK 63E DIN69893

M722

Draw in collect chucks HSK 63E DIN69893



Ottenuti da acciaio di elevata qualità • Parti in accoppiamento interamente rettificate • Altissima precisione con perfetto centraggio dell'utensile • Adatti per l'utilizzo di utensili con attacco cilindrico mediante pinze art. M233 – M234 – M235 • La pinza non è inclusa nel mandrino • Utilizzabili su macchine CMS

Obtained from high quality steel • Parts in connection completely ground • High precision with perfect alignment of the tool • Use with cylindrical shank router bits • Mount high precision collect item M233 - M234 - M235 • High precision collect is not included in the chuck • To mount on CMS machines

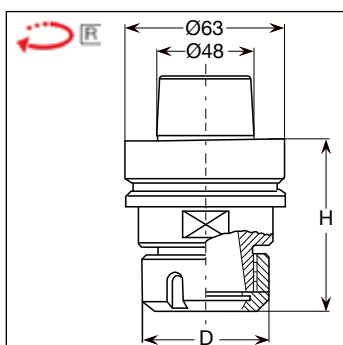
● = Ready in stock ■ = Delivery time 20 working days △ = On request

D	H	H.P.Collect	Left Code	€	Right Code	€
50	78	ER32	■ M7220R3250AL		● M7220R3250AR	
63	78	ER40	■ M7220R4063AL		● M7220R4063AR	

Spec.	M722099L	M722099R
-------	----------	----------

SPARE PARTS

Type	Code	€
Wrench for ring nut 52/55	● ACH052AAAAAA	
Wrench for ring nut 58/62	● ACH058AAAAAA	



Mandri ad alta precisione
HSK 63F

Präzisions-Spannzangenfutter
HSK 63F

Mandrin concentrique
porte-pince avec
aute tolérance HSK 63F

Патроны высокоточные

M937

High precision collet chuck HSK 63F DIN69893



Ottenuti da acciaio di elevata qualità • Parti in accoppiamento interamente rettificate • Altissima precisione run-out 0,003 mm per un perfetto centraggio dell'utensile • Adatti per l'utilizzo di utensili con attacco cilindrico • La pinza non è inclusa nel mandrino • Utilizzabili su macchine BIESSSE – IMA – MASTERWOD – MORBIDELLI – SCM – WEEKE • Utilizzabili con pinze M236 ad alta precisione DIN69893


Obtained from high quality steel • Parts in connection completely ground • High precision with run-out 0,003 mm for a perfect alignment of the tool • Use with cylindrical shank router bits • Mount high precision collect item • High precision collect is not included in the chuck • To mount on BIESSSE - IMA - MASTERWOOD - MORBIDELLI - SCM - WEEKE machines • Usable with very high precision collets M236 DIN 69893

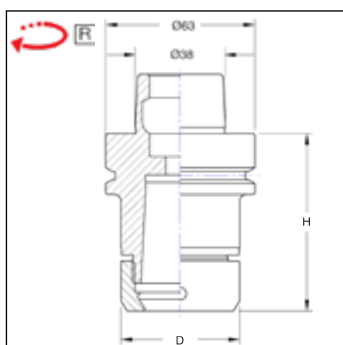
● = Ready in stock ■ = Delivery time 20 working days △ = On request

D	H	Collet	Code	€
50	75	ORT25	● M9370000063F	

Spec.	M937099
-------	---------

SPARE PARTS

Type	Dimensions	Code	€
 Wrench	Ø50	● ACH050AAAAAA	




Tutti i marchi presenti sono proprietà dei rispettivi proprietari. All trademarks are the property of their respective holders.

 Mandrini a calettamento termico HSK 63F

 Thermo Schrumpffutter HSK 63F

 Mandrins avec serrage thermique HSK 63F

 Патроны термо



TAGLIO / SEZIONATURA
SAWING

DIAMANTE
DIAMOND

FRESATURA
CUTTING

PANTOGRAFATURA
ROUTING

FORATURA
BORING

MANDRINI / ATTACCHI
CHUCKS & CLAMPING SYSTEM

RICAMBI E LAVORAZIONI SUPP.
SPARE PARTS & ADD. WORKING

M938

Shrinking chuck HSK 63F



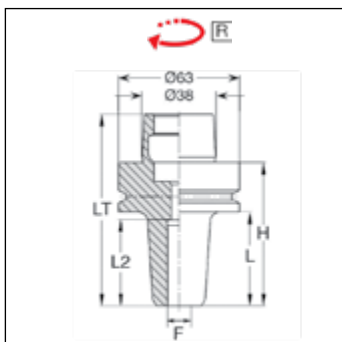
Mandrini a dilatazione termica ottenuti da acciaio di elevata qualità • Parti in accoppiamento interamente rettificate • Altissima precisione run-out 0,003-0,01 mm per un perfetto centraggio dell'utensile • Adatti per l'utilizzo di utensili con attacco cilindrico • Utilizzabili su macchine BIESSE - IMA - MASTERWOD - MORBIDELLI - SCM - WEEKE

Shrinking chucks obtained from high quality steel • Parts in connection completely ground • High precision with run-out 0,003-0,01 mm for a perfect alignment of the tool • Use with cylindrical shank router bits • To mount on BIESSE - IMA - MASTERWOOD - MORBIDELLI - SCM - WEEKE machines

● = Ready in stock ■ = Delivery time 20 working days △ = On request

F	H	L2	L	LT	Code	€
8	75	38	49	100	■ M9380008063F	
10	75	40	49	100	● M9380010063F	
12	75	45	49	100	● M9380012063F	
14	75	46	49	100	■ M9380014063F	
16	75	50	49	100	■ M9380016063F	
20	75	50	49	100	● M9380020063F	
25	75	55	49	100	● M9380025063F	


Spec. M938099



 Mandrini a calettamento termico HSK 63E

 Thermo Schrumpffutter HSK 63E

 Mandrins avec serrage thermique HSK 63E

 Патроны термо

M939

Shrinking chuck long HSK 63E



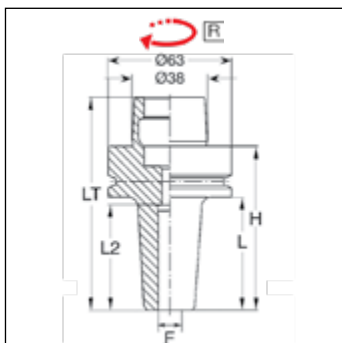
Mandrini a dilatazione termica ottenuti da acciaio di elevata qualità • Parti in accoppiamento interamente rettificate • Altissima precisione run-out 0,003-0,01 mm per un perfetto centraggio dell'utensile • Adatti per l'utilizzo di utensili con attacco cilindrico • Utilizzabili su macchine BIESSE - IMA - MASTERWOD - MORBIDELLI - SCM - WEEKE

Shrinking chucks obtained from high quality steel • Parts in connection completely ground • High precision with run-out 0,003-0,01 mm for a perfect alignment of the tool • Use with cylindrical shank router bits • To mount on BIESSE - IMA - MASTERWOOD - MORBIDELLI - SCM - WEEKE machines

● = Ready in stock ■ = Delivery time 20 working days △ = On request

F	H	L2	L	LT	Code	€
16	75	50	49	107	■ M9390016063E	
20	75	50	49	107	● M9390020063E	
25	75	55	49	107	● M9390025063E	

Spec. M939099



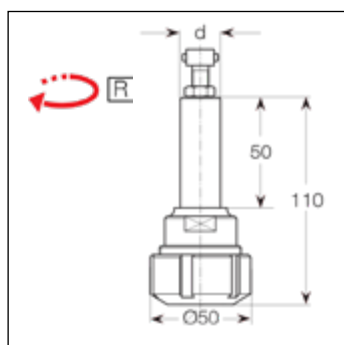
M726**High precision draw in collect chucks**

Ottenuti da acciaio di elevata qualità • Parti in accoppiamento interamente rettificate • Altissima precisione con perfetto centraggio dell'utensile • Adatti per l'utilizzo di utensili con attacco cilindrico mediante pinze art. M233 • La pinza non è inclusa nel mandrino • Particolarmente indicati per macchine a CNC

Obtained from high quality steel • Parts in connection completely ground • High precision with perfect alignment of the tool • Use with cylindrical shank router bits • Mount high precision collect art. M233 • High precision collect is not included in the chuck • To mount on CNC machines

● = Ready in stock ■ = Delivery time 20 working days △ = On request

d	Code	€
20	■ M7260R3220AR	
25	■ M7260R3225AR	
Spec.	M726099	



SPARE PARTS

Type	Code	€
Retaining bolt	■ PTIR	
Wrench for ring nut 52–55	■ ACH052AAAAAA	



M788 Shank for Lamello®

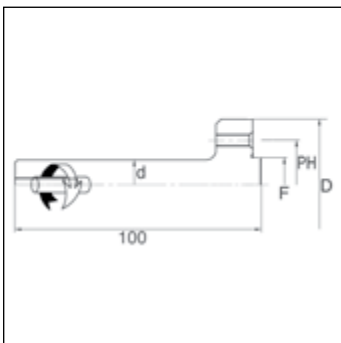


Ottenuti da acciaio di elevata qualità • Parti in accoppiamento interamente rettificate • Altissima precisione per un perfetto centraggio dell'utensile • Da installare su utensili Lamello®

Obtained from high quality steel • Parts in connection completely ground • High precision with perfect alignment of the tool • To mount on Lamello® tools

● = Ready in stock ■ = Delivery time 20 working days △ = On request

D	F	d	PH	Code	€
53	22	16	4/M4/36	● M78800532216	
53	22	20	4/M4/36	● M78800532220	



TAGLIO / SEZIONATURA
SAWING

DIAMANTE
DIAMOND

FRESATURA
CUTTING

M790 Shank for CNC saw blades

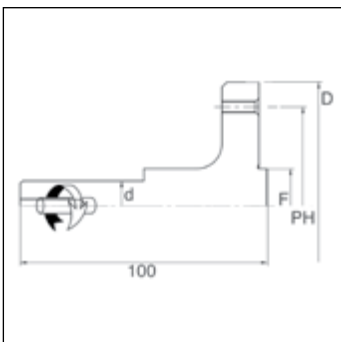


Ottenuti da acciaio di elevata qualità • Parti in accoppiamento interamente rettificate • Altissima precisione per un perfetto centraggio dell'utensile • Da installare su macchine CNC

Obtained from high quality steel • Parts in connection completely ground • High precision with perfect alignment of the tool • To mount on CNC machines

● = Ready in stock ■ = Delivery time 20 working days △ = On request

D	F	d	PH	Code	€
68	30	20	4/M5/48	● M79001003020	
68	30	25	4/M5/48	● M79001003025	
100	60	20	6/M6/80	● M79001006020	
100	60	25	6/M6/80	● M79001006025	



PANTOGRAFATURA
ROUTING

FORATURA
BORING

MANDRINI / ATTACCHI
CHUCKS & CLAMPING SYSTEM

RICAMBI E LAVORAZIONI SUPP.
SPARE PARTS & ADD. WORKING

Tutti i marchi presenti sono proprietà dei rispettivi proprietari. All trademarks are the property of their respective holders.

Mandrini portalama

Sägeblattaufnahme

Arbres porte-lame

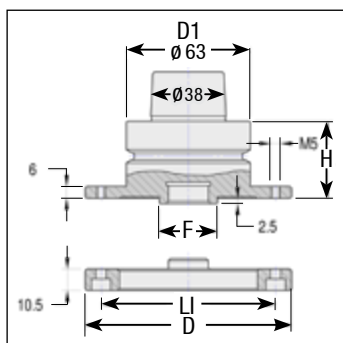
Оправки для крепления пил
HSK 63F**M911****Saw blade holder HSK 63F**

Ottenuti da acciaio di elevata qualità • Parti in accoppiamento interamente rettificato • Altissima precisione per un perfetto centraggio dell'utensile • Utilizzabili su macchine BIESSE, IMA, MASTERWOOD, MORBIDELLI, SCM, WEEKE

Obtained from high quality steel • Parts in connection completely ground • High precision with perfect alignment of the tool • To mount on BIESSE, IMA, MASTERWOOD, MORBIDELLI, SCM, WEEKE machines

● = Ready in stock ■ = Delivery time 20 working days △ = On request

D	F	D1	H	LI		Code	€
106	30	63	40	8/M8/90	with counter flange	■ M91100000010	
106	30	63	40	8/M8/90	without counter flange	■ M91100000020	
106	30	63	50	8/M8/90	with counter flange	■ M91100000030	
106	30	63	50	8/M8/90	without counter flange	■ M91100000040	
Spec.						M911099	



Flange portalama

Aufnahmeflansch

Flaques porte-lames

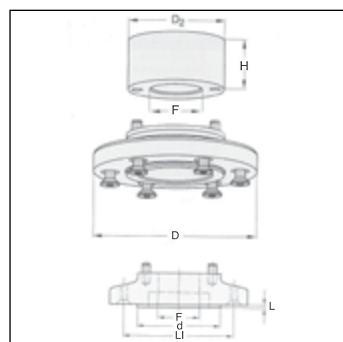
Оправки для крепления
пил**M960****Clamping flanges for saw blades**

Ottenuti da acciaio di elevata qualità • Parti in accoppiamento interamente rettificato • Altissima precisione per un perfetto centraggio dell'utensile • Utilizzabili su macchine BIESSE, IMA, MASTERWOOD, MORBIDELLI, SCM, WEEKE

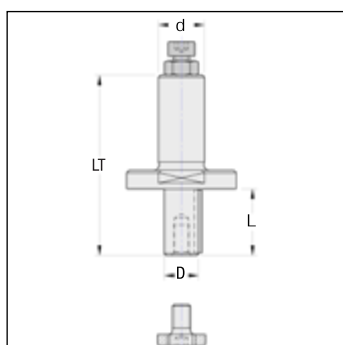
Obtained from high quality steel • Parts in connection completely ground • High precision with perfect alignment of the tool • To mount on BIESSE, IMA, MASTERWOOD, MORBIDELLI, SCM, WEEKE machines

● = Ready in stock ■ = Delivery time 20 working days △ = On request

D	H	F	D2	d	LI	L	Code	€
Set								
100	30	30	-	60	80	2.2	■ M96000000010	
100	45	30	-	60	80	2.2	■ M96000000020	
100	70	30	-	60	80	2.2	■ M96000000030	
Rings								
-	30	30	60	-	-	-	■ M96000000040	
-	45	30	60	-	-	-	■ M96000000050	
-	70	30	60	-	-	-	■ M96000000060	
Flange								
100	-	30	-	60	80	2.2	■ M96000000070	



Tutti i marchi presenti sono proprietà dei rispettivi proprietari. All trademarks are the property of their respective holders.

M910**CNC Arbor**

Ottenuti da acciaio di elevata qualità • Parti in accoppiamento interamente rettificate • Altissima precisione per un perfetto centraggio dell'utensile • Da installare su macchine CNC

Obtained from high quality steel • Parts in connection completely ground • High precision with perfect alignment of the tool • To mount on CNC machines

● = Ready in stock ■ = Delivery time 20 working days △ = On request

D	L	LT	KN*	d	Code	€
20	40	105	6X1,5	25X55	■ M91000204061	
30	40	105	8X2	25X55	■ M91000304061	
Spec.					M910099	

* KN – Chiavetta anti rotazione

* KN – Rotation limiter key

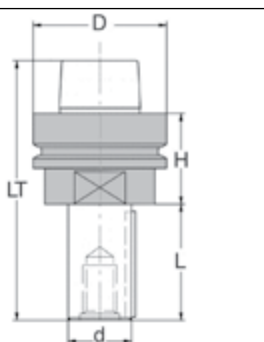
SPARE PARTS

Type	Dimensions	Code	€
Retaining screw	M10 (for d = 20 mm)	■ WV082	
Retaining screw	M16 (for d = 30 mm)	■ WV083	
Retaining screw	M16 with collar (for d = 30mm)	■ WV084	
Adjusting screw	M8	■ WV048	
"T" allen key	5	■ ACHET05AAAAA	
"T" allen key	6	■ ACHET06AAAAA	
"T" allen key	10	■ ACHET10AAAAA	

M915**Tool holder with Arbor HSK 63F**

Ottenuti da acciaio di elevata qualità • Parti in accoppiamento interamente rettificate • Altissima precisione con perfetto centraggio dell'utensile • Adatti per l'utilizzo di utensili con attacco cilindrico mediante pinze art. M234 - M235 • La pinza non è inclusa nel mandrino • Utilizzabili su macchine BIESSE - IMA - MASTERWOD - MORBIDELLI - SCM - WEEKE

Obtained from high quality steel • Parts in connection completely ground • High precision with perfect alignment of the tool • Use with cylindrical shank router bits • Mount high precision collect item M234 - M235 • High precision collect is not included in the chuck • To mount on BIESSE - IMA - MASTERWOOD - MORBIDELLI - SCM - WEEKE machines



ARBOR WITH KN*

● = Ready in stock ■ = Delivery time 20 working days △ = On request

d	D	L	H	LT	KN*	Code	€
20	63	40	45	110	6X1,5	■ M91500204131	
20	63	55	45	125	6X1,5	■ M91500205131	
20	63	55	80	160	6X1,5	■ M91500205531	
20	63	70	45	140	6X1,5	■ M91500207131	
20	63	70	80	175	6X1,5	■ M91500207031	
30	63	40	45	110	8X2	■ M91500304131	
30	63	55	45	125	8X2	■ M91500305531	
30	63	80	45	150	8X2	■ M91500308131	
30	63	80	80	185	8X2	■ M91500308031	
30	63	163	52	240	8X2	■ M91500301631	
30	63	189	52	266	8X2	■ M91500301891	

ARBOR WITH SCREW

d	D	L	H	LT	Screw	Code	€
30	63	40	45	110	2/M6+2/48	■ M91500304132	
30	63	55	45	125	2/M6+2/48	■ M91500305532	
30	63	80	45	150	2/M6+2/48	■ M91500308132	
30	63	80	80	185	2/M6+2/48	■ M91500308232	
30	63	120	45	190	2/M6+2/48	■ M91500312032	

Spec.

M915099

SPARE PARTS

Type		Code	€
Retaining screw	M10 (for d = 20 mm)	■ WV082	
Retaining screw	M16 (for d = 30 mm)	■ WV083	
Engineers' wrench	SW 46	■ ACH010AAAAA	
"T" allen key	Esag. 6	■ ACHET06AAAA	
"T" allen key	Esag. 10	■ ACHET10AAAA	


* KN - Chiavetta anti rotazione

* KN - Rotation limiter key

 Ghiere per mandrini portapinze

 Spannmutter

 Ecu de serrage

 Гайка для патронов



TAGLIO / SEZIONATURA
SAWING

DIAMANTE
DIAMOND

FRESATURA
CUTTING

PANTOGRAFATURA
ROUTING

FORATURA
BORING

MANDRINI / ATTACCHI
CHUCKS & CLAMPING SYSTEM

RICAMBI E LAVORAZIONI SUPP.
SPARE PARTS & ADD. WORKING

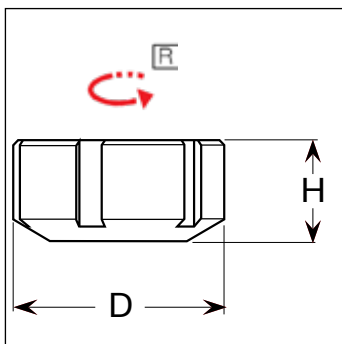
M730 Lock nuts for draw-in collect chucks



Ottenute da acciaio di elevata resistenza meccanica

Obtained from steel with a high mechanical resistance

● = Ready in stock ■ = Delivery time 20 working days △ = On request




H.P. Collets	D	H	Left Code	Right Code	€
ER25	42	20	■ M7300ER25AAL	● M7300ER32AAR	
ER32	50	22,5	■ M7300ER32AAL	● M7300ER32AAR	
ER32ETS	50	22,5	■ M7300ER32ETL	● M7300ER32ETR	
ER40	63	25,5	■ M7300ER40AAL	● M7300ER40AAR	
ER40ETS	63	25,5	■ M7300ER40ETL	● M7300ER40ETR	
ORT25	60	30	■ M7300RT25AAL	● M7300RT25AAR	
Spec.			M730099L	M730099R	

 Ghiere a cuscinetto per mandrini portapinze

 Spannmutter

 Ecu de serrage avec roulement à billes

 Гайка для патронов

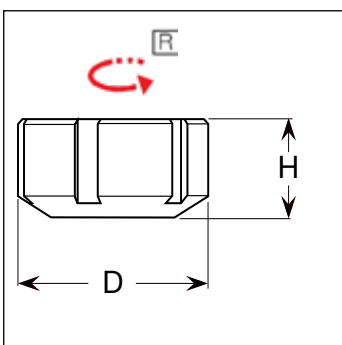
M735 Anti-unscrewing lock nuts for draw-in collect chucks



Ottenute da acciaio di elevata resistenza meccanica

Obtained from steel with a high mechanical resistance

● = Ready in stock ■ = Delivery time 20 working days △ = On request



H.P. Collets	D	H	Left Code	Right Code	€
ER32	50	22,5	■ M7350ER32AAL	● M7350ER32AAR	
ER40	63	25,5	■ M7350ER40AAL	● M7350ER40AAR	
ORT25	60	30	■ M7350RT25AAL	● M7350RT25AAR	
Spec.			M735099L	M735099R	



Ghiere per mandrini portafrese



Spannmutter



Ecru de serrage



Гайка для патронов

M740

Lock nuts for draw-in collect chucks

TAGLIO / SEZIONATURA
SAWING



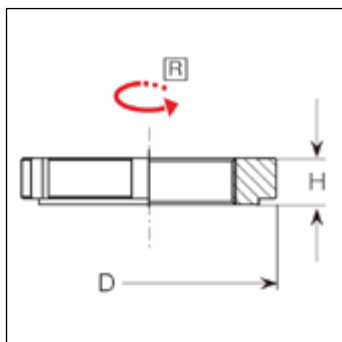
Ottenute da acciaio di elevata resistenza meccanica

Obtained from steel with a high mechanical resistance

DIAMANTE
DIAMOND

● = Ready in stock ■ = Delivery time 20 working days △ = On request

FRESATURA
CUTTING



D	H	Left Code	Right Code	€
44	8	■ M74004408AAL	● M74004408AAR	
Spec.		M740099L	M740099R	

PANTOGRAFATURA
ROUTING

FORATURA
BORING

MANDRINI / ATTACCHI
CHUCKS & CLAMPING SYSTEM

RICAMBI E LAVORAZIONI SUPP.
SPARE PARTS & ADD. WORKING

Mandriini portafrese
SK30 DIN69871

Fräsdorn
SK30 DIN69871

Mandrins porte-fraise
SK30 DIN69871

Патроны для фрез
SK30 DIN69871

M750

Draw in collect chucks with SK30 DIN69871 shank and spindle



Ottenute da acciaio di elevata qualità • Parti in accoppiamento interamente rettificate • Altissima precisione per un perfetto centraggio dell'utensile • Utilizzabili su macchine BIESSE

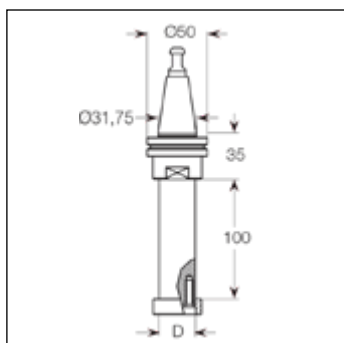
Obtained from high quality steel • Parts in connection completely ground • High precision with perfect alignment of the tool • To mount on BIESSE machines

● = Ready in stock ■ = Delivery time 20 working days △ = On request

D	Code	€
30	■ M750030100AA	
Spec.	M750099	

SPARE PARTS

Type	Code	€
Retain bolt Biesse	■ M8000AAAAAA3	
Key for cap screw	● ACHET05AAAAA	
Screw	■ WV066	



Mandriini porta frese
SK30

Fräsdorn
SK30

Mandrins porte-fraise
SK30

Патроны для фрез
SK30

M751

Draw in collect chucks with SK30 shank and spindle



Ottenuti da acciaio di elevata qualità • Parti in accoppiamento interamente rettificate • Altissima precisione per un perfetto centraggio dell'utensile • Utilizzabili su macchine CMS

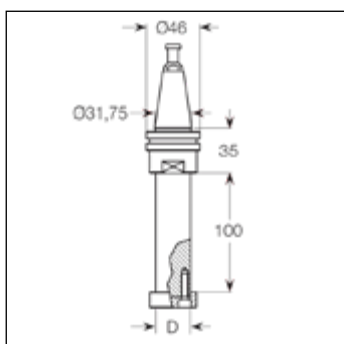
Obtained from high quality steel • Parts in connection completely ground • High precision with perfect alignment of the tool • To mount on CMS machines

● = Ready in stock ■ = Delivery time 20 working days △ = On request

D	Code	€
30	■ M751030100AA	
Spec.	M751099	

SPARE PARTS

Type	Code	€
Retain bolt CMS	■ M8000AAAAAA9	
Key for cap screw	● ACHET05AAAAA	
Screw	■ WV066	



Mandriini portafrese SK30

Fräsdorn SK30

Mandrins porte-fraise SK30

Патроны для фрез SK30

M752

Draw in collect chucks with SK30 shank and spindle



Ottenuti da acciaio di elevata qualità • Parti in accoppiamento interamente rettificate • Altissima precisione per un perfetto centraggio dell'utensile • Utilizzabili su macchine ESSETEAM

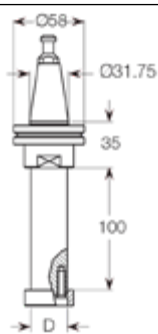
Obtained from high quality steel • Parts in connection completely ground • High precision with perfect alignment of the tool • To mount on ESSETEAM machines

● = Ready in stock ■ = Delivery time 20 working days △ = On request

D	Code	€
30	■ M752030100AA	
Spec.	M752099	

SPARE PARTS

Type	Code	€
Retaining bolt Esseteam	■ M8000AAAAA9	
Key for cap screw	■ ACHET05AAAAA	
Screw	■ WV066	



Mandriini portafrese SK30 con flangia dentata

Fräsdorn SK30

Mandrins porte-fraise SK30 cranté

Патроны для фрез SK30

M755

Draw in collect chucks with SK30 shank and spindle



Ottenuti da acciaio di elevata qualità • Parti in accoppiamento interamente rettificate • Altissima precisione per un perfetto centraggio dell'utensile • Utilizzabili su macchine MORBIDELLI e SCM

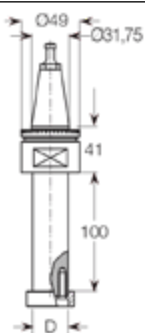
Obtained from high quality steel • Parts in connection completely ground • High precision with perfect alignment of the tool • To mount on MORBIDELLI - SCM machines

● = Ready in stock ■ = Delivery time 20 working days △ = On request

D	Code	€
30	■ M755030100AA	
Spec.	M755099	

SPARE PARTS

Type	Code	€
Retaining bolt MORBIDELLI-SCM	■ M8000AAAAA1	
Key for cap screw	● ACHET05AAAAA	
Screw	■ WV066	



Tutti i marchi presenti sono proprietà dei rispettivi proprietari. All trademarks are the property of their respective holders.

Mandriini portafrese
SK40 DIN69871

Fräsdorn
SK40 DIN69871

Mandrins porte-fraise
SK40 DIN69871

Патроны для фрез SK40
DIN69871

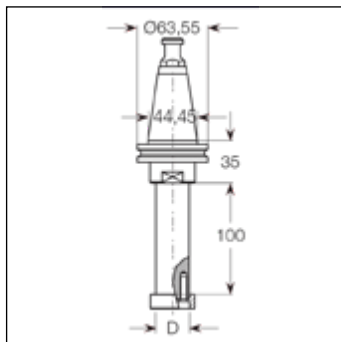
M757

Draw in collect chucks with SK40 DIN69871 shank and spindle



Ottenuti da acciaio di elevata qualità • Parti in accoppiamento interamente rettificata • Altissima precisione per un perfetto centraggio dell'utensile • Utilizzabili su macchine IMA – MAKA – REICHENBACHER – SCM – STEGHER – WEEKE

Obtained from high quality steel • Parts in connection completely ground • High precision with perfect alignment of the tool • To mount on IMA - MAKA - REICHENBACHER - SCM - STEGHER - WEEKE machines



● = Ready in stock ■ = Delivery time 20 working days △ = On request

D	Code	€
30	■ M757030100AA	
35	■ M757035100AA	
40	■ M757040100AA	
Spec.	M757099	

SPARE PARTS

Type	Code	€
Retaining bolt IMA – MAKA – REICHENBACHER	■ M8000AAAAA8	
Key for cap screw	● ACHET05AAAAA	
Screw	■ WV066	

Mandriini portafrese
ER40

Fräsdorn
ER40

Mandrins porte-fraise
ER40

Патроны для фрез
ER40

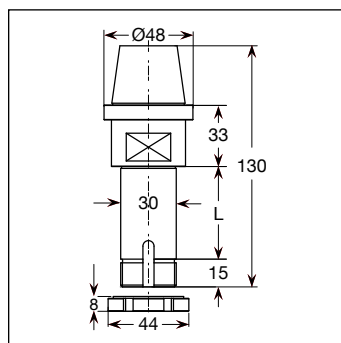
M759

Draw in collect chucks with ER40 shank and spindle



Ottenuti da acciaio di elevata qualità • Parti in accoppiamento interamente rettificata • Altissima precisione per un perfetto centraggio dell'utensile • Utilizzabili su macchine BACCI

Obtained from high quality steel • Parts in connection completely ground • High precision with perfect alignment of the tool • To mount on BACCI machines



● = Ready in stock ■ = Delivery time 20 working days △ = On request

D	D1	H	Left Code	Right Code	€
30	44	50	■ M759030050AL	■ M759030050AR	
Spec.			M759099L	M759099R	

SPARE PARTS

Type	Left Code	Right Code	€
Lock nut for spindle	■ M74004408AAL	■ M74004408AAR	
Key for lock nut 40/42	■ ACH040AAAAAA		

Mandrini portafrese
HSK 63F DIN69893

Fräsdorn
HSK 63F DIN69893

Mandrins porte-fraise
HSK 63F DIN69893

Патроны ГИДРО для фрез
HSK63F DIN69893

M760

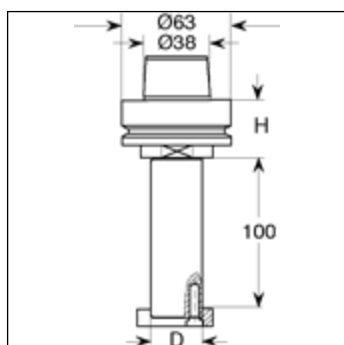
Chucks HSK 63F DIN69893 shank and spindle



Ottenuti da acciaio di elevata qualità • Parti in accoppiamento interamente rettificate • Altissima precisione con perfetto centraggio dell'utensile • Utilizzabili sulle macchine BIESSE – IMA – MASTERWOOD – MORBIDELLI – SCM – WEEKE

Obtained from high quality steel • Parts in connection completely ground • High precision with perfect alignment of the tool • To mount on IMA - MASTERWOOD - MORBIDELLI - SCM - WEEKE machines

● = Ready in stock ■ = Delivery time 20 working days △ = On request



D	H	Code	€
30	33	● M7600030033A	
30	42	● M7600030042A	
35	33	● M7600035033A	
35	42	● M7600035042A	
40	33	● M7600040033A	
40	42	● M7600040042A	
Spec.		M760099	

SPARE PARTS

Type	Code	€
T allen Key for hydro	● ACHET05AAAAA	
Screw	● WV066	

Mandriini portafrese
HSK 63E DIN69893

Fräsdorn
HSK 63E DIN69893

Mandrins porte-fraise
HSK 63E DIN69893

Патроны для фрез
HSK 63E DIN69893

M762

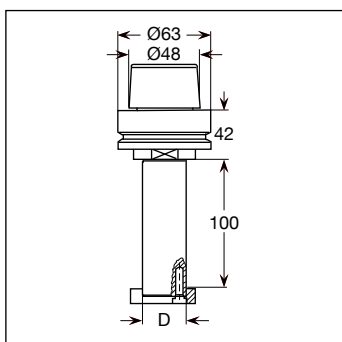
Chucks HSK 63E DIN69893 shank and spindle



Ottenuti da acciaio di elevata qualità • Parti in accoppiamento interamente rettificate • Altissima precisione per un perfetto centraggio dell'utensile • Utilizzabili su macchine CMS

Obtained from high quality steel • Parts in connection completely ground • High precision with perfect alignment of the tool • To mount on CMS machines

● = Ready in stock ■ = Delivery time 20 working days △ = On request



D	Code	€
30	● M762030100AA	
35	● M762035100AA	
40	● M762040100AA	
Spec.	M762099	

SPARE PARTS

Type	Code	€
T allen Key for hydro	● ACHET05AAAAA	
Screw	● WV066	

Tutti i marchi presenti sono proprietà dei rispettivi proprietari. All trademarks are the property of their respective holders.

Mandri portafrese
HSK 85 POWER LOCK

Fräsdorn
HSK 85 POWER LOCK

Arbres porte-fraise hydro
HSK 85 POWER LOCK

Патроны для фрез
HSK85 POWER LOCK

M765

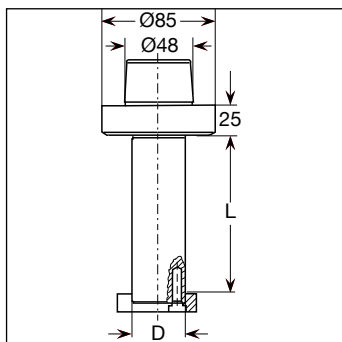
POWER LOCK

Chucks HSK 85 shank and spindle



Ottenuti da acciaio di elevata qualità • Parti in accoppiamento interamente rettificate • Altissima precisione per un perfetto centraggio dell'utensile • Utilizzabili sulle macchine WEINIG

Obtained from high quality steel • Parts in connection completely ground • High precision with perfect alignment of the tool • To mount on WEINIG machines



● = Ready in stock ■ = Delivery time 20 working days △ = On request

D	L	Code	€
30	100	● M765030100AA	
30	130	■ M765030130AA	
30	150	● M765030150AA	
30	200	● M765030200AA	
35	100	■ M765035100AA	
35	150	■ M765035150AA	
35	200	■ M765035200AA	
40	100	● M765040100AA	
40	150	● M765040150AA	
40	200	● M765040200AA	
40	240	■ M765040240AA	

Spec.

M765099

SPARE PARTS

Type	Code	€
Key for cap screw	● ACHET05AAAAA	
Screw	● WV066	

Mandriini portafrese
HSK 85 POWER LOCK

Aufnahmedorn
HSK 85 POWER LOCK

Arbres porte-fraise hydro
HSK 85 POWER LOCK

Патроны для фрез
HSK 85 POWER LOCK

M768

POWER LOCK

Chucks HSK 85 shank and spindle

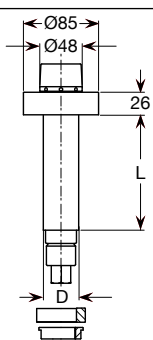


Ottenuti da acciaio di elevata qualità • Parti in accoppiamento interamente rettificate • Altissima precisione per un perfetto centraggio dell'utensile • Utilizzabili sulle macchine WEINIG

Obtained from high quality steel • Parts in connection completely ground • High precision with perfect alignment of the tool • To mount on WEINIG machines

● = Ready in stock ■ = Delivery time 20 working days △ = On request

D	L	Code	€
40	130	● M768040130AA	
40	170	● M768040170AA	
40	240	● M768040240AA	
50	170	■ M768050170AA	
50	240	■ M768050240AA	
Spec.		M768099	



Mandriini portapunte
Hydro HSK 63F

Spannfutter
Hydro HSK 63F

Mandriins
Hydro HSK 63F

Патроны ГИДРО для фрез
HSK 63F

M774

Hydro chucks HSK 63F



Ottenuti da acciaio di elevata qualità • Parti in accoppiamento interamente rettificate • Altissima precisione per un perfetto centraggio dell'utensile

Obtained from high quality steel • Parts in connection completely ground • High precision with perfect alignment of the tool

● = Ready in stock ■ = Delivery time 20 working days △ = On request

F	D	H	Code	€
12	45	68	● M7740125565A	
16	48	74	■ M7740165874A	
20	52	80	● M7740206380A	
25	59	87,5	● M7740256787A	
Spec.			M774099	

SPARE PARTS

Type	Code	€
T allen Key for hydro	● ACHET05AAAAA	

Mandriini portafrese
Hydro HSK 63F

Hydro Fräsdorn
HSK 63F

Mandrins porte-frase
hydro HSK 63F

Патроны ГИДРО для фрез
HSK 63F

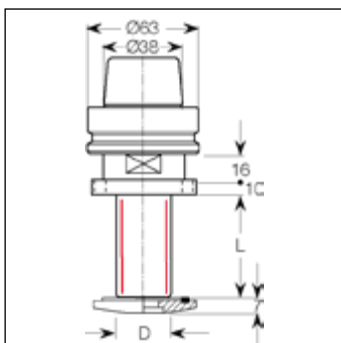
M784

Hydro chucks HSK 63F shank and spindle



Ottenuti da acciaio di elevata qualità • Parti in accoppiamento interamente rettificate • Altissima precisione per un perfetto centraggio dell'utensile

Obtained from high quality steel • Parts in connection completely ground • High precision with perfect alignment of the tool



● = Ready in stock ■ = Delivery time 20 working days △ = On request

D	L	Code	€
20	40	■ M7840020040A	
25	55	■ M7840025055A	
30	40	■ M7840030040A	
30	55	■ M7840030055A	
30	80	■ M7840030080A	
30	100	■ M7840030100A	
Spec.		M784099	

SPARE PARTS

Type	Code	€
T allen Key for hydro	■ ACHET06HAAAA	

Mandriini portafrese
Hydro HSK 85 POWER LOCK

Hydro Fräsdorn
HSK 85 POWER LOCK

Mandrins porte-frase hydro
HSK 85 POWER LOCK

Патроны для фрез
HSK85 для WEINIG

M786

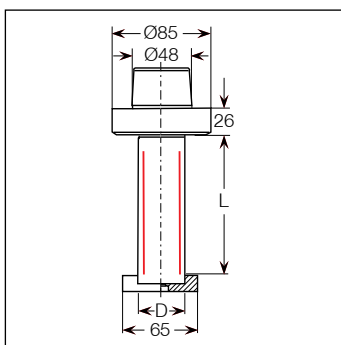
POWER LOCK

Hydro chucks HSK 85 shank and spindle



Ottenuti da acciaio di elevata qualità • Parti in accoppiamento interamente rettificate • Altissima precisione per un perfetto centraggio dell'utensile • Da installare su macchine WEINIG

Obtained from high quality steel • Parts in connection completely ground • High precision with perfect alignment of the tool • To mount on WEINIG machines




● = Ready in stock ■ = Delivery time 20 working days △ = On request

D	L	Code	€
30	55	■ M7860030055A	
30	100	■ M7860030100A	
40	55	■ M7860040055A	
40	135	■ M7860040135A	
40	240	■ M7860040240A	
Spec.		M786099	

SPARE PARTS


Type	L	Code	€
T allen key for hydro	55	● ACHET05HAAAA	
T allen key for hydro	135-240	● ACHET08HAAAA	



 Tiranti per attacchi portafrese e portapinzze

 Einzugsbolzen für Spannfutter

 Tirettes de préhension

 Штревели для патрона

TAGLIO / SEZIONATURA
SAWING

DIAMANTE
DIAMOND

FRESATURA
CUTTING

PANTOGRAFATURA
ROUTING

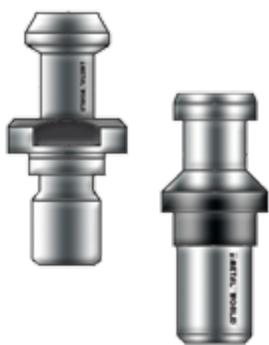
FORATURA
BORING

MANDRINI / ATTACCHI
CHUCKS & CLAMPING SYSTEM

RICAMBI E LAVORAZIONI SUPP.
SPARE PARTS & ADD. WORKING

M800

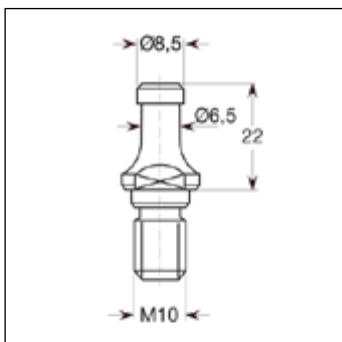
Retaining bolt for high precision chucks



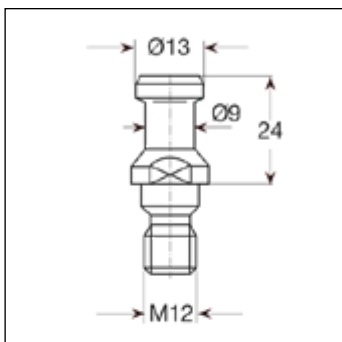
Ottenuti da acciaio di elevata resistenza meccanica

Obtained from steel with a high mechanical resistance

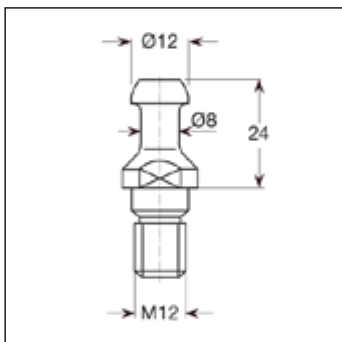
● = Ready in stock ■ = Delivery time 20 working days △ = On request



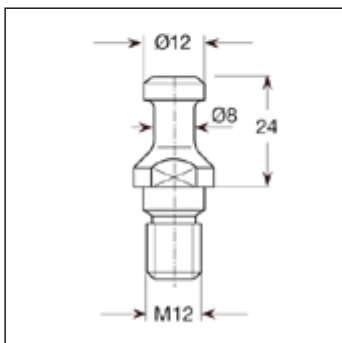
Machines	Code	€
MORBIDELLI – SCM per / for ISO30	● M8000AAAAA1	



Machines	Code	€
IMA – MAK – REICHENBACHER – WEEKE – CMS – BULLERI – BUSELLATO – COSMEC – COLOMBO per / for ISO30	● M8000AAAAA2	



Machines	Code	€
BIESSE per / for ISO30	● M8000AAAAA3	

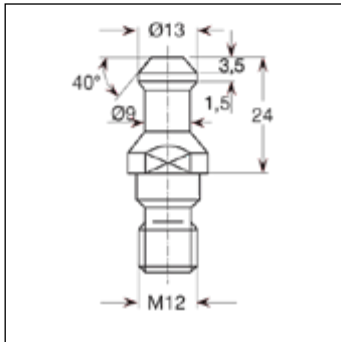


Machines	Code	€
BIESSE per / for ISO30	● M8000AAAAA4	



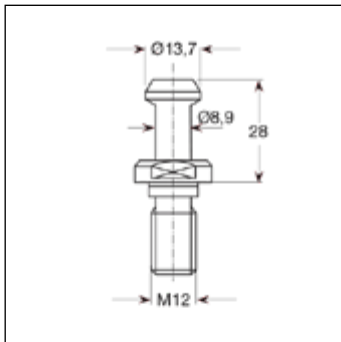
M800

Retaining bolt for high precision chucks

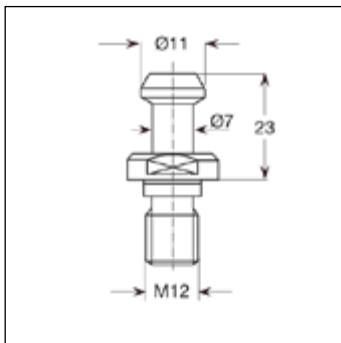


● = Ready in stock ■ = Delivery time 20 working days △ = On request

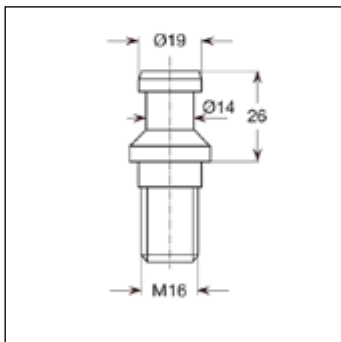
Machines	Code	€
ALBERTI-MASTERWOOD per / for ISO30	● M8000AAAAA5	



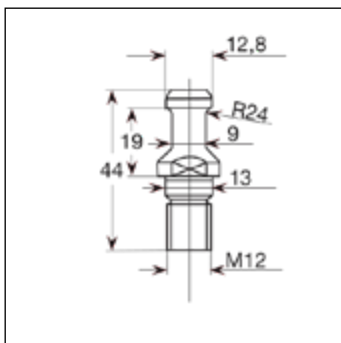
Machines	Code	€
HEIAN per / for ISO30	● M8000AAAAA6	



Machines	Code	€
SHODA per / for ISO30	● M8000AAAAA7	



Machines	Code	€
IMA-MAKA-REICHENBACHER-COSMEC per / for ISO30	● M8000AAAAA8	



Machines	Code	€
CMS	● M8000AAAAA9	

TAGLIO / SEZIONATURA
SAWING

DIAMANTE
DIAMOND

FRESATURA
CUTTING

PANTOGRAFATURA
ROUTING

FORATURA
BORING

MANDRINI / ATTACCHI
CHUCKS & CLAMPING SYSTEM

RICAMBI E LAVORAZIONI SUPP.
SPARE PARTS & ADD. WORKING

Turbina di aspirazione truciolo

Absaugturbine

Turbine d'élimination des poussières

Турбина для отвода стружки

MTS10

PAT. PENDING
UD2015A0000066

Double blast turbine - Turbo System

TAGLIO / SEZIONATURA
SAWING

DIAMANTE
DIAMOND

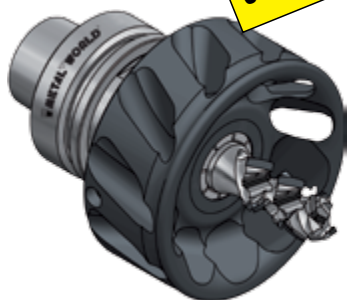
FRESATURA
CUTTING

PANTOGRAFATURA
ROUTING

FORATURA
BORING

MANDRINI / ATTACCHI
CHUCKS & CLAMPING SYSTEM

RICAMBI E LAVORAZIONI SUPP.
SPARE PARTS & ADD. WORKING

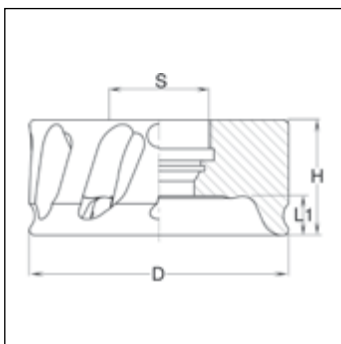


Ghiera aspirante TURBO SYSTEM l'unica con doppia azione: aspirazione e flusso inverso • Rimuove il 90% del truciolo e della polvere dal piano di lavoro • Permette all'operatore di lavorare in un ambiente perfettamente pulito e sano • Facile da usare, si monta e smonta come una classica ghiera • Adatto per lavorazioni di nesting, contornatura e profilatura • Può essere posizionato da 3 a 25 mm dal piano di lavoro mantenendo un'ottima resa • Disponibili nelle versioni per ghiera ER25, ER32, ER40, OTR25 o a richiesta per attacchi speciali • Consente l'uso di utensili vari: elicoidali e sagomati • Rivestita con una speciale protezione ceramica con proprietà anticorrosive, antiabrasione e antistatiche

TURBO SYSTEM generates an air-compressed blast, which removes the residue amount of material from inside of any groove • Generates a vacuum which removes 97% of chips and dust • Allows the operator to work in a perfectly clean and healthy • Easy to use, mounts and disassemble as a classic ring • Suitable for nesting operations, contouring and profiling • It can be placed from 3 to 25 mm from the worktop by maintaining an excellent performance • Available in versions for ER25 rings, ER32, ER40, OTR25 or request special attacks • Allows the use of various tools: helical and shaped • Coated with a special protection ceramics with anti-corrosive properties, abrasion resistant and antistatic

● = Ready in stock ■ = Delivery time 20 working days ▲ = On request

D	S	L1	H	Left Code	Right Code	€
80	ER25	15	44	▲ MTS10R25080L	■ MTS10R25080R	
100	ER25	15	44	▲ MTS10R25100L	■ MTS10R25100R	
80	ER32	15	44	▲ MTS10R32080L	● MTS10R32080R	
100	ER32	15	44	▲ MTS10R32100L	● MTS10R32100R	
80	ER40	15	44	▲ MTS10R40080L	● MTS10R40080R	
100	ER40	15	44	▲ MTS10R40100L	● MTS10R40100R	
80	ORT25	15	44	▲ MTS10T25080L	● MTS10T25080R	
100	ORT25	15	44	▲ MTS10T25100L	● MTS10T25100R	



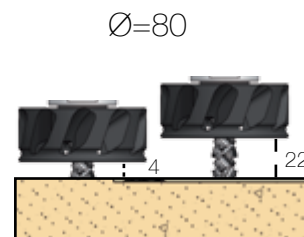
SPARE PARTS

Type	Dimensions	LT	Code	€
Wrench	Ø 80	280	● ACH080AAAAAA	
Wrench	Ø 100	280	● ACH095AAAAAA	



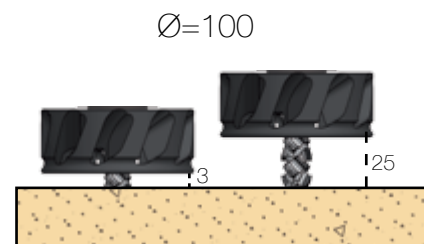
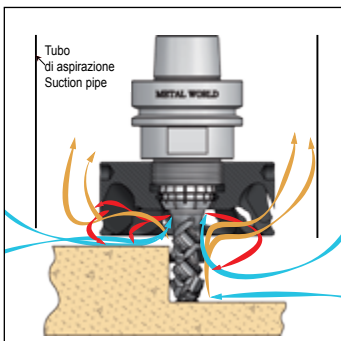
Ø 80 – max RPM min⁻¹ 24.000

Diametro utensile Tool diameter	Profondità di lavorazione Machining depth working
6 mm	20 mm
8 mm	25 mm
10 mm	25 mm
12 mm	30 mm
16 mm	40 mm
20 mm	45 mm



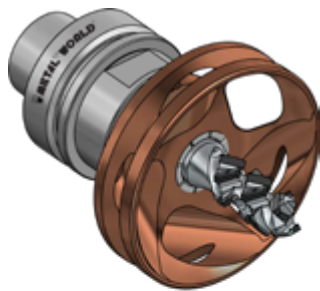
Ø 100 – max RPM min⁻¹ 21.000

Diametro utensile Tool diameter	Profondità di lavorazione Machining depth working
6 mm	25 mm
8 mm	30 mm
10 mm	30 mm
12 mm	35 mm
16 mm	45 mm
20 mm	50 mm



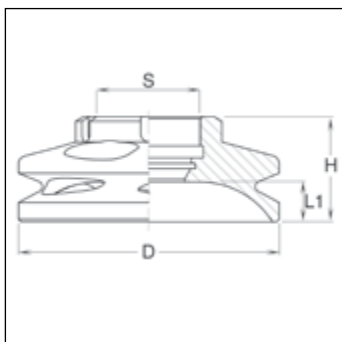


MTS40 **PAT. PENDING** **Double blast turbine - Bi-Turbo System**



Ghiera aspirante TURBO SYSTEM l'unica con doppia azione: aspirazione e flusso inverso • Rimuove il 90% del truciolo e della polvere dal piano di lavoro • Permette all'operatore di lavorare in un ambiente perfettamente pulito e sano • Facile da usare, si monta e smonta come una classica ghiera • Adatto per lavorazioni di nesting, contornatura e profilatura • Può essere posizionato da 3 a 25 mm dal piano di lavoro mantenendo un'ottima resa • Disponibili nelle versioni per ghiera ER25, ER32, ER40, OTR25 o a richiesta per attacchi speciali • Consente l'uso di utensili vari: elicoidali e sagomati • Rivestita con una speciale protezione ceramica con proprietà anticorrosive, antiabrasione e antistatiche

TURBO SYSTEM generates an air-compressed blast, which removes the residue amount of material from inside of any groove • Generates a vacuum which removes 97% of chips and dust • Allows the operator to work in a perfectly clean and healthy • Easy to use, mounts and disassemble as a classic ring • Suitable for nesting operations, contouring and profiling • It can be placed from 3 to 25 mm from the worktop by maintaining an excellent performance • Available in versions for ER25 rings, ER32, ER40, OTR25 or request special attacks • Allows the use of various tools: helical and shaped • Coated with a special protection ceramics with anti-corrosive properties, abrasion resistant and antistatic



● = Ready in stock ■ = Delivery time 20 working days ▲ = On request

D	S	L1	H	Left Code	Right Code	€
100	ER32	15	40	▲ MTS40R32100L	● MTS40R32100R	
100	ER40	15	40	▲ MTS40R40100L	● MTS40R40100R	
100	ORT25	15	40	▲ MTS40T25100L	● MTS40T25100R	
100	*ORT25	15	40	MTS40X25100L	MTS40X25100R	

* Utilizzabile esclusivamente con mandrino M937

* Usable only with chucks M937

SPARE PARTS

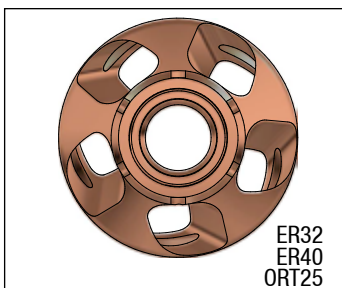
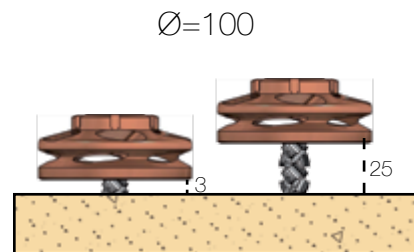
Type	Dimensions	LT	Code	€
Wrench	Ø 58-62	240	● ACH058AAAAAA	

Ø 100 – max RPM min⁻¹ 24.000**

Diametro utensile Tool diameter	Profondità di lavorazione Machining depth working
6 mm	25 mm
8 mm	30 mm
10 mm	30 mm
12 mm	35 mm
16 mm	45 mm
20 mm	50 mm

** Con mandrino M937 max RPM min⁻¹ 30.000

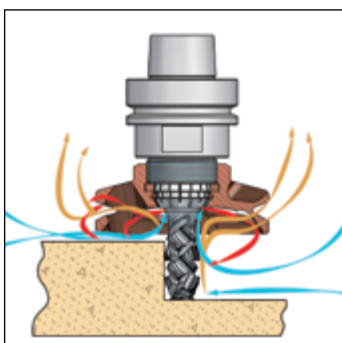
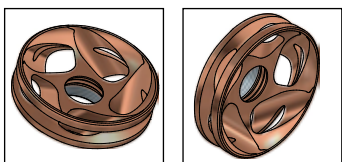
** With chucks M937 max RPM min⁻¹ 30.000



ER32
ER40
ORT25



*ORT25



TAGLIO / SEZIONATURA
SAWING

DIAMANTE
DIAMOND

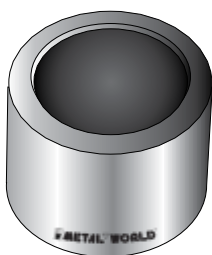
FRESATURA
CUTTING

PANTOGRAFATURA
ROUTING

FORATURA
BORING

MANDRINI / ATTACCHI
CHUCKS & CLAMPING SYSTEM

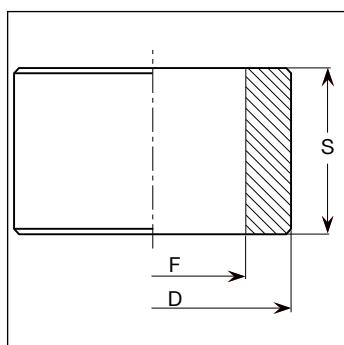
RICAMBI E LAVORAZIONI SUPP.
SPARE PARTS & ADD. WORKING

B020**Reducing bushes**

Ottenute da acciaio di elevata resistenza meccanica • Parti in accoppiamento interamente rettificate • Da montare su utensili vari per ridurre il foro alla misura desiderata

Obtained from steel with a high mechanical resistance • Parts in connection completely ground • To mount on tools to reduce the bore to the size needed

● = Ready in stock ■ = Delivery time 20 working days △ = On request



D	F	S	Code	€
30	20	2	● B0200302002A	
30	25	2	● B0200302502A	
32	30	2	● B0200323002A	
35	30	2	● B0200353002A	
35	30	5	● B0200353005A	
35	30	10	● B0200353010A	
35	30	15	● B0200353015A	
35	30	20	● B0200353020A	
35	30	25	● B0200353025A	
35	30	30	● B0200353030A	
40	30	2	● B0200403002A	
40	30	5	● B0200403005A	
40	30	10	● B0200403010A	
40	30	15	● B0200403015A	
40	30	20	● B0200403020A	
40	30	25	● B0200403025A	
40	30	30	● B0200403030A	
40	35	2	● B0200403502A	
40	35	5	● B0200403505A	
40	35	10	● B0200403510A	
40	35	15	● B0200403515A	
40	35	20	● B0200403520A	
40	35	25	● B0200403525A	
40	35	30	● B0200403530A	
50	30	5	● B0200503005A	
50	30	10	● B0200503010A	
50	30	15	● B0200503015A	
50	30	20	● B0200503020A	
50	30	25	● B0200503025A	
50	30	30	● B0200503030A	
50	35	10	● B0200503510A	
50	35	15	● B0200503515A	
50	35	20	● B0200503520A	
50	35	25	● B0200503525A	
50	35	30	● B0200503530A	
50	40	10	● B0200504010A	
50	40	15	● B0200504015A	
50	40	20	● B0200504020A	
50	40	25	● B0200504025A	
50	40	30	● B0200504030A	

Spec.

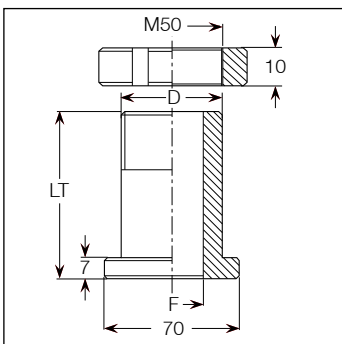
B020099



B030 Coupling bushes



Ottenute da acciaio di elevata resistenza meccanica • Permettono un perfetto accoppiamento tra utensile e albero motore
 Obtained from steel with a high mechanical resistance • High precision connection between tool and motor spindle



● = Ready in stock ■ = Delivery time 20 working days △ = On request

D	F	LT	Left Code	Right Code	€
≤50	≤40	100	● B0300100AAL	● B0300100AAR	
≤50	≤40	150	● B0300150AAL	● B0300150AAR	
≤50	≤40	200	● B0300200AAL	● B0300200AAR	
Spec.			B030099L	B030099R	

TAGLIO / SEZIONATURA
SAWING

DIAMANTE
DIAMOND

FRESATURA
CUTTING

PANTOGRAFATURA
ROUTING

FORATURA
BORING

MANDRINI / ATTACCHI
CHUCKS & CLAMPING SYSTEM

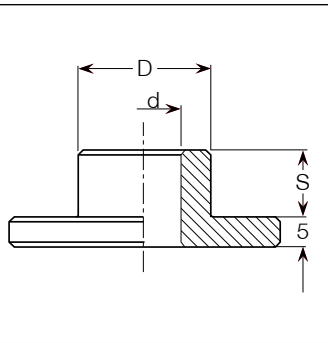
RICAMBI E LAVORAZIONI SUPP.
SPARE PARTS & ADD. WORKING

B040**Reducing bushes with flange**

Ottenute da acciaio di ottima qualità • Parti in accoppiamento interamente rettificate • Da montare su utensili vari per ridurre il foro alla misura desiderata

Obtained from steel with a high mechanical resistance • Parts in connection completely ground • To mount on tools to reduce the bore to the size needed

● = Ready in stock ■ = Delivery time 20 working days △ = On request



D	d	S	Code	€
35	30	10	■ B0400353010A	
35	30	15	■ B0400353015A	
35	30	20	■ B0400353020A	
40	30	10	■ B0400403010A	
40	30	15	■ B0400403015A	
40	30	20	■ B0400403020A	
40	35	10	■ B0400403510A	
40	35	15	■ B0400403515A	
40	35	20	■ B0400403520A	
50	30	10	■ B0400503010A	
50	30	15	■ B0400503015A	
50	30	20	■ B0400503020A	
50	35	10	■ B0400503510A	
50	35	15	■ B0400503515A	
50	35	20	■ B0400503520A	
50	40	10	■ B0400504010A	
50	40	15	■ B0400504015A	
50	40	20	■ B0400504020A	
Spec.			B040099	

TAGLIO / SEZIONATURA
SAWINGDIAMANTE
DIAMONDFRESATURA
CUTTINGPANTOGRAFATURA
ROUTINGFORATURA
BORINGMANDRINI / ATTACCHI
CHUCKS & CLAMPING SYSTEMRICAMBI E LAVORAZIONI SUPP.
SPARE PARTS & ADD. WORKING

Flange di fissaggio lame

Sägeblattflansch

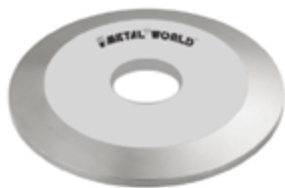
Flasques pour lames de scie circulaires

Фланцы для пильных дисков



B050

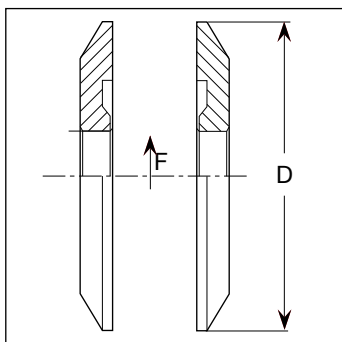
Flanges for saw blades



Ottenute da acciaio di ottima qualità • Parti in accoppiamento interamente rettificate • Per fissare e bloccare lame su qualsiasi tipo di macchina

Obtained from high quality steel • Parts in connection completely ground • To mount saw blades on any type of machine

● = Ready in stock ■ = Delivery time 20 working days △ = On request



D	F	Code	€
100	30	■ B050010030AA	
125	30	■ B050012530AA	
100	35	■ B050010035AA	
125	35	■ B050012535AA	
100	40	■ B050010040AA	
125	40	■ B050012540AA	
100	50	■ B050010050AA	
125	50	■ B050012550AA	
Spec.		B050099	

TAGLIO / SEZIONATURA
SAWING

DIAMANTE
DIAMOND

FRESATURA
CUTTING

Flange di fissaggio lame con riduzione foro

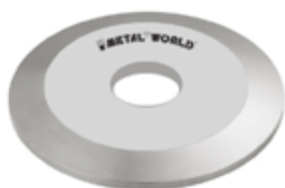
Sägeblattflansch

Flasques pour des lames de scies circulaires avec la réduction du trou

Фланцы для пильных дисков

B060

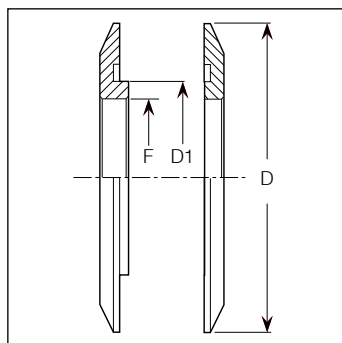
Flanges for saw blades with bore reduction



Ottenute da acciaio di ottima qualità • Parti in accoppiamento interamente rettificate • Per fissare e bloccare lame su qualsiasi tipo di macchina

Obtained from high quality steel • Parts in connection completely ground • To mount saw blades on any type of machine

● = Ready in stock ■ = Delivery time 20 working days △ = On request



D	Code	€
100	■ B0600100FFD1	
125	■ B0600125FFD1	
Spec.	B060099	

* Specificare le misure F e D1 al momento dell'ordine
* At the order specify F and D1 sizes

PANTOGRAFATURA
ROUTING

FORATURA
BORING

MANDRINI / ATTACCHI
CHUCKS & CLAMPING SYSTEM

RICAMBI E LAVORAZIONI SUPP.
SPARE PARTS & ADD. WORKING

Boccole Hydro con ghiera per frese

Hydrobüchse

Manchons hydro avec douille de réglable pour fraises

Втулки Гидро с накидной гайкой для фрез

B1AC

Hydro sleeves with ring nut for cutters



Ottenute da acciaio di ottima qualità • Parti in accoppiamento interamente rettificate • Indicate per il montaggio su alberi di alta precisione e in special modo su macchine con avanzamenti e parametri di lavoro in genere molto elevati

Obtained from high quality steel • Parts in connection completely ground • To be mounted on high precision spindles and particularly suitable for machines with very high feeds and working parameters

CON SISTEMA DI BLOCCO/SBLOCCO HYDRO MEDIANTE CHIAVE ESAGONALE
WITH LOCK/UNLOCK HYDRO SYSTEM BY MEANS OF T ALLEN KEY

D1	S	F	D	L	L1	Code	€
100	75	40	50	40	55	■ B1AC04050075	
102	75	40	60	40	55	■ B1AC04060075	
108	95	40	60	60	75	■ B1AC04060095	
108	115	40	60	80	95	■ B1AC04060115	
102	75	50	60	40	55	■ B1AC05060075	
108	95	50	60	60	75	■ B1AC05060095	
108	115	50	60	80	95	■ B1AC05060115	

Spec.

B1900000

● = Ready in stock ■ = Delivery time 20 working days △ = On request

CON SISTEMA DI BLOCCO/SBLOCCO HYDRO MEDIANTE POMPA
WITH LOCK/UNLOCK HYDRO SYSTEM BY MEANS OF GREASE PUMP

D1	S	F	D	L	L1	Code	€
93	165	40	60	105	120	■ B1AP04060140	
93	215	40	60	180	195	■ B1AP04060215	
93	140	50	60	105	120	■ B1AP05060115	
93	190	50	60	155	170	■ B1AP05060190	
93	240	50	60	205	220	■ B1AP05060240	

Spec.

B1900000

SPARE PARTS

Type	Code	€
T allen key for hydro	■ ACHET08HAAAA	
T allen key for hydro	■ ACHET10HAAAA	
Grease pump for hydro	■ WAGREASEPUMP	

* Doppio bloccaggio hydro (utensile ed albero macchina)

* Double hydro locking system (tool bore and spindle machine)

TAGLIO / SEZIONATURA
SAWING

DIAMANTE
DIAMOND

FRESATURA
CUTTING

PANTOGRAFATURA
ROUTING

FORATURA
BORING

MANDRINI / ATTACCHI
CHUCKS & CLAMPING SYSTEM

RICAMBI E LAVORAZIONI SUPP.
SPARE PARTS & ADD. WORKING



B1BC Hydro sleeves for cutters



Ottenute da acciaio di ottima qualità • Parti in accoppiamento interamente rettificate • Indicate per il montaggio su alberi di alta precisione e in special modo su macchine con avanzamenti e parametri di lavoro in genere molto elevati

Obtained from high quality steel • Parts in connection completely ground • To be mounted on high precision spindles and particularly suitable for machines with very high feeds and working parameters

CON SISTEMA DI BLOCCO/SBLOCCO HYDRO MEDIANTE CHIAVE ESAGONALE
WITH LOCK/UNLOCK HYDRO SYSTEM BY MEANS OF T ALLEN KEY

D1	S	F	D	L	Code	€
100	75	40	50	55	■ B1BC04050075	
102	75	40	60	55	■ B1BC04060075	
108	95	40	60	75	■ B1BC04060095	
108	115	40	60	95	■ B1BC04060115	
114	140	40	60	115	■ B1BC04060140	
102	75	50	60	55	■ B1BC05060075	
108	95	50	60	75	■ B1BC05060095	
108	115	50	60	95	■ B1BC05060115	
114	140	50	60	115	■ B1BC05060140	

Spec.

B1900000

● = Ready in stock ■ = Delivery time 20 working days ▲ = On request

CON SISTEMA DI BLOCCO/SBLOCCO HYDRO MEDIANTE POMPA
WITH LOCK/UNLOCK HYDRO SYSTEM BY MEANS OF GREASE PUMP

D1	S	F	D	L	Code	€
93	115	40	60	95	■ B1AP04060140	
93	215	40	60	195	■ B1AP04060215	
93	140	50	60	120	■ B1AP05060115	
93	190	50	60	170	■ B1AP05060190	
93	230	50	60	210	■ B1AP05060240	

Spec.

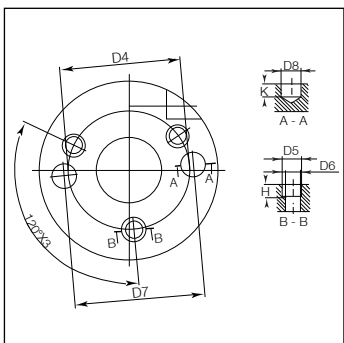
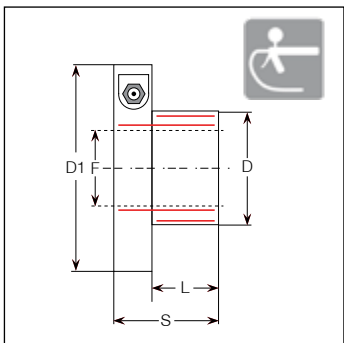
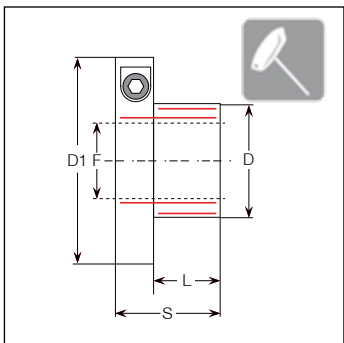
B1900000

SPARE PARTS

Type	Code	€
T allen key for hydro	■ ACHET08HAAAA	
T allen key for hydro	■ ACHET10HAAAA	
Grease pump for hydro	■ WAGREASEPUMP	

* Doppio bloccaggio hydro (utensile ed albero macchina)

* Double hydro locking system (tool bore and spindle machine)



TAGLIO / SEZIONATURA
SAWING

DIAMANTE
DIAMOND

FRESATURA
CUTTING

PANTOGRAFATURA
ROUTING

FORATURA
BORING

MANDRINI / ATTACCHI
CHUCKS & CLAMPING SYSTEM

RICAMBI E LAVORAZIONI SUPP.
SPARE PARTS & ADD. WORKING



Boccole Hydro per alberi con esagono



Hydrobüchse mit Sechskant-Verdrehsicherung



Manchons hydro pour fraises



Втулки Гидро для шестигранных хвостовиков

TAGLIO / SEZIONATURA
SAWING

DIAMANTE
DIAMOND

FRESATURA
CUTTING

PANTOGRAFATURA
ROUTING

FORATURA
BORING

MANDRINI / ATTACCHI
CHUCKS & CLAMPING SYSTEM

RICAMBI E LAVORAZIONI SUPP.
SPARE PARTS & ADD. WORKING

B1CC

Hydro sleeves with hexagon safety disk



Ottenute da acciaio di ottima qualità • Parti in accoppiamento interamente rettificate • Indicate per il montaggio su alberi di alta precisione e in special modo su macchine con avanzamenti e parametri di lavoro in genere molto elevati • Da montare su articolo DFF52

Obtained from high quality steel • Parts in connection completely ground • To be mounted on high precision spindles and particularly suitable for machines with very high feeds and working parameters • Indicated for item DFF52

CON SISTEMA DI BLOCCO/SBLOCCO HYDRO MEDIANTE CHIAVE ESAGONALE
WITH LOCK/UNLOCK HYDRO SYSTEM BY MEANS OF T ALLEN KEY

D1	S	F	D	L	Code	€
120	92	40	60	68	■ B1CC04060092	

Spec.

B110C99

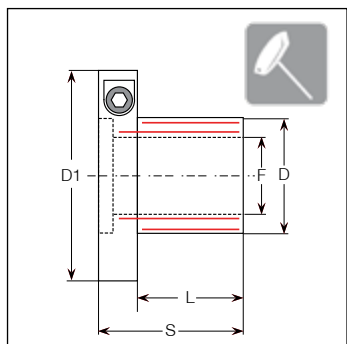
● = Ready in stock ■ = Delivery time 20 working days △ = On request


SPARE PARTS

Type	Code	€
T allen key for hydro	■ ACHET06AAAAA	
Hexagonal safety disk	■ BSET01555034	

* Doppio bloccaggio hydro (utensile ed albero macchina)


* Double hydro locking system (tool bore and spindle machine)



 Boccole Hydro con esagono per truciolatori

 Hydrobüchse mit Sechskant-Verdrehsicherung

 Manchon hydro pour Déchiqueteurs

 Втулки Гидро с шестигранным диском для измельчителей

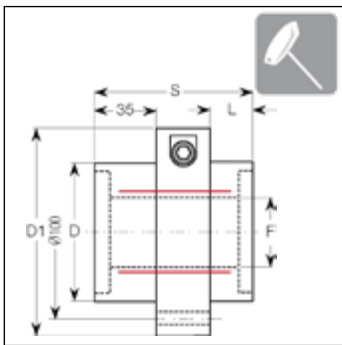


B2CC Hydro sleeves with hexagon safety disk suitable for hoggers




Ottenute da acciaio di ottima qualità • Parti in accoppiamento interamente rettificate • Indicate per il montaggio su alberi di alta precisione e in special modo su macchine con avanzamenti e parametri di lavoro in genere molto elevati • Da montare su truciolatori con F=80

Obtained from high quality steel • Parts in connection completely ground • To be mounted on high precision spindles and particularly suitable for machines with very high feeds and working parameters • Indicated for hoggers with F=80





CON SISTEMA DI BLOCCO/SBLOCCO HYDRO MEDIANTE CHIAVE ESAGONALE
WITH LOCK/UNLOCK HYDRO SYSTEM BY MEANS OF T ALLEN T KEY

D1	S	F	D	L	Code	€
120	92	40	80	25	 B2CC04080092	

Spec. B20C0000

 = Ready in stock  = Delivery time 20 working days  = On request

SPARE PARTS

Type	Code	€
T allen key for hydro	 ACHET06HAAAA	
Hexagonal safety disk	 BSET01555034	

* Bloccaggio hydro solo su albero macchina

* Hydro locking system for spindle machine

TAGLIO / SEZIONATURA
SAWING

DIAMANTE
DIAMOND


FRESATURA
CUTTING

PANTOGRAFATURA
ROUTING

 Boccole Hydro con esagono per frese regolabili STEP

 Hydrobüchse mit Sechskant-Verdrehsicherung

 Manchons hydro pour fraises réglable

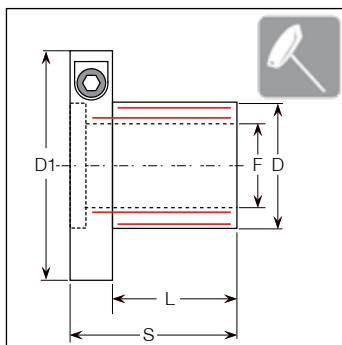
 Втулки Гидро с шестигранным валом для фрез ГИДРО STEP

B3CC Hydro sleeves with hexagon safety disk




Costruite con acciaio di ottima qualità • Permettono un perfetto accoppiamento tra utensile e albero motore • Aumentano la velocità di avanzamento, quindi una maggiore produttività • L'elevata precisione e concentricità dei taglienti garantisce una migliore finitura della superficie da lavorare • Da montare su frese regolabili DFF50

Obtained from high quality steel • To be mounted on high precision spindles • Increase a high feed speed therefore a large production • The high precision and concentricity of the cutters grant a better finish on the material to work out • To mount on adjustable jointin cutters DFF50





CON SISTEMA DI BLOCCO/SBLOCCO HYDRO MEDIANTE CHIAVE ESAGONALE
WITH LOCK/UNLOCK HYDRO SYSTEM BY MEANS OF T ALLEN T KEY

D1	S	F	D	L	Code	€
120	104	40	60	80	 B30C04060104	

Spec. B30C0000

 = Ready in stock  = Delivery time 20 working days  = On request

SPARE PARTS

Type	Code	€
"T" allen key for hydro	 ACHET08HAAAA	
Hexagonal safety disk	 BSET01555034	

* Doppio bloccaggio hydro (utensile ed albero macchina)

* Double hydro locking system (tool bore and spindle machine)

FORATURA
BORING

MANDRINI / ATTACCHI
CHUCKS & CLAMPING SYSTEM

RICAMBI E LAVORAZIONI SUPP.
SPARE PARTS & ADD. WORKING

Attacchi rapidi con bloccaggio Hydro (corpo unico)

Schnellspannsystem

Système de serrage rapide hydro

Фланец гидро

BRSH

Pneumatic hydro quick realize system (all-in-one)

TAGLIO / SEZIONATURA
SAWING

DIAMANTE
DIAMOND

FRESATURA
CUTTING

PANTOGRAFATURA
ROUTING

FORATURA
BORING

MANDRINI / ATTACCHI
CHUCKS & CLAMPING SYSTEM

RICAMBI E LAVORAZIONI SUPP.
SPARE PARTS & ADD. WORKING



Ottenuti da acciaio di ottima qualità • Consentono la sostituzione rapida degli utensili • Sistema pneumatico: ottima stabilità e precisione degli utensili • Sistema hydro incorporato: riduce ulteriormente le tolleranze migliorando il rendimento degli utensili • Adatti per squadratrici per l'industria del mobile o per la produzione di parquet • Da montare su macchine di elevata precisione equipaggiate di alberi con esagono

Obtained from high quality steel • Easy change tools • Pneumatic system: high stability and precision of the tools • Hydro system incorporated: reduces the tolerances and increase the performance of the tools • Suitable for end-banding machines of furniture industries and the production of flooring • To mount on machines of high precision with hexagonal motor spindle

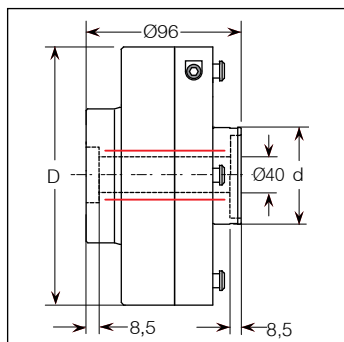
BLOCCAGGIO/SBLOCCAGGIO BOCCOLA HYDRO MEDIANTE CHIAVE ESAGONALE
BLOCCAGGIO/SBLOCCAGGIO UTENSILE MEDIANTE SISTEMA PNEUMATICO
LOCKING/UNLOCKING HYDRO SLEEVE BY MEANS OF HEXAGONAL T ALLEN KEY
LOCKING/UNLOCKING TOOL BY MEANS OF PNEUMATIC SYSTEM

D	Pins	d	Code	€
160	4/130	60/MASCHIO	■ BRSH0160AAAA	
Spec.			BRSH099	

● = Ready in stock ■ = Delivery time 20 working days △ = On request

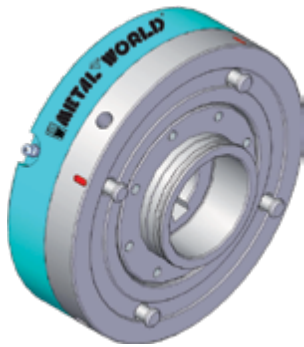
SPARE PARTS

Type	Code	€
"T" allen key for hydro	■ ACHET08HAAAA	
Pneumatic hose	■ BSETRACCORDO	





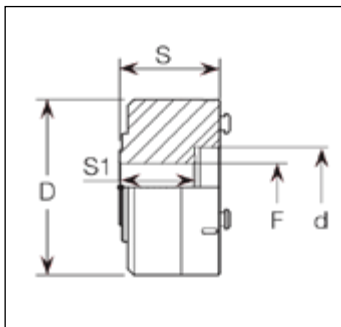
BRSN All-in-one pneumatic quick realize system



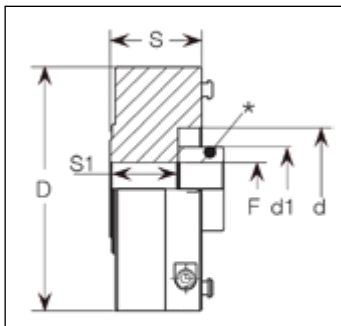
Ottenuti da acciaio di ottima qualità • Sistema pneumatico • Consentono la sostituzione rapida degli utensili • Ottima stabilità e precisione degli utensili • Da montare su macchine di elevata precisione

Obtained from high quality steel • Easy change tools • Pneumatic system • High stability and precision of the tools • To mount on machines of high precision with hexagonal motor spindle

● = Ready in stock ■ = Delivery time 20 working days △ = On request



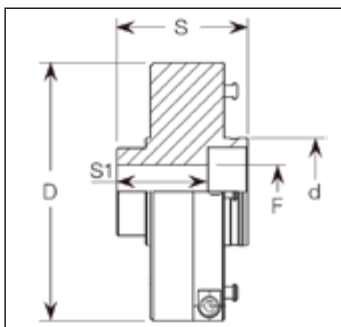
D	S	S1	F	Pins	d	Code	€
110	63	47,5	30	3/80	50	■ BRSN011030AA	
110	63	47,5	35	3/80	50	■ BRSN011035AA	
140	57	47,5	30	3/110	80	■ BRSN014030AA	
140	57	47,5	35	3/110	80	■ BRSN014035AA	
140	57	47,5	40	3/110	80	■ BRSN014040AA	



D	S	S1	F	Pins	d	d1	Code	€
160	60	44,5	35	4/130	80		■ BRSN016035AA	
160	60	44,5	40	4/130	80		■ BRSN016040AA	
160*	60	44,5	35	4/130	80	60	■ BRSN016035AB	
160*	60	44,5	40	4/130	80	60	■ BRSN016040AB	

Spec. _____

* Ottenuto aggiungendo bussola a BRSN016035AA – BRSN016040AA
 * Obtained by adding bush at BRSN016035AA – BRSN016040AA



D	S	S1	F	Pins	d	Code	€
192	90	68	35	4/150	80	■ BRSN019230AA	
192	90	68	40	4/150	80	■ BRSN019240AA	

Spec. _____ BRSN099

SPARE PARTS

Type	Code	€
Pneumatic hose	■ BSETRACCORDO	



TAGLIO / SEZIONATURA
SAWING

DIAMANTE
DIAMOND

FRESATURA
CUTTING

PANTOGRAFATURA
ROUTING

FORATURA
BORING

MANDRINI / ATTACCHI
CHUCKS & CLAMPING SYSTEM

RICAMBI E LAVORAZIONI SUPP.
SPARE PARTS & ADD. WORKING

Attacchi rapidi pneumatico con flangia top system per truciolatori

Schnellspannsystem

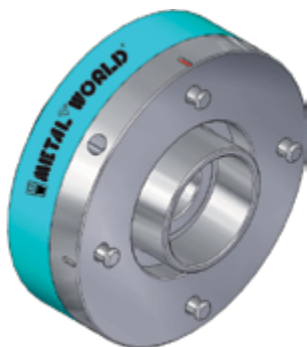
Système de serrage rapide

Фланец гидро top system для измельчителей

BRST

Pneumatic quick realize system with tool holder Top System for hoggers

TAGLIO / SEZIONATURA
SAWING

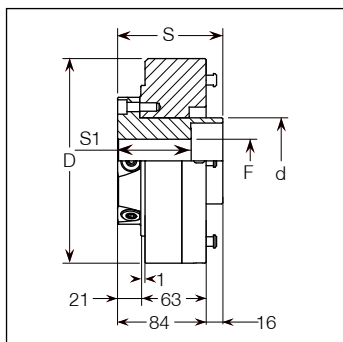


Ottenuti da acciaio di ottima qualità • Sistema pneumatico • Consentono la sostituzione rapida degli utensili • Sistema TOPSYS: perfetta planarità ed equilibratura

Obtained from high quality steel • Easy change tools • Pneumatic system • High stability and precision of the tools • TOPSYS system: perfect alignment on the side and balancing

DIAMANTE
DIAMOND

● = Ready in stock ■ = Delivery time 20 working days △ = On request



D	S	S1	F	Pins	d	Code	€
160	105	63	35	4/130	60	■ BRST016035AA	
160	105	68	40	4/130	60	■ BRST016040AA	
190	100	63	35	4/150	80	■ BRST016035AB	
190	100	68	40	4/150	80	■ BRST016040AB	

Spec.						BRST099	
-------	--	--	--	--	--	---------	--

SPARE PARTS

Type	Code	€
Pneumatic hose	■ BSETRACCORDO	

FRESATURA
CUTTING

PANTOGRAFATURA
ROUTING

Flange portautensili
TOP SYSTEM

Schnellspannsystem

Flasque pour Top system

Фланец TOP SYSTEM

BSYS

TOP SYSTEM tool holder

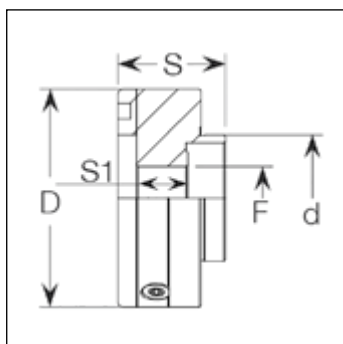
FORATURA
BORING



Dispositivo semplice da usare, maneggevole e preciso • Studiato e BREVETTATO da METAL WORLD per correggere difetti di planarità e vibrazioni su macchine che richiederebbero una revisione in genere ben più onerosa • E' indicato inoltre, su macchine prive di difetti predisponendole alla possibilità di eventuali interventi correttivi, garantendo in tal modo una maggiore affidabilità

A simple, handy and accurate device • Designed and PATENTED by METAL WORLD to correct defects in alignment on the side and vibration of machines that would require a revision generally more onerous • Indicated, on machines without defects predisposing them to the possibility of any corrective action, thus ensuring greater reliability

● = Ready in stock ■ = Delivery time 20 working days △ = On request



D	S	S1	F	Fix. bore	d	Code	€
124	60	30	25	6/M6/106	60	■ BSYS012425AA	
124	60	30	30	6/M6/106	60	■ BSYS012430AA	
138	68	32	35	6/M8/120	80	■ BSYS012435AA	
138	68	32	40	6/M8/120	80	■ BSYS012440AA	

Spec.						BSYS099	
-------	--	--	--	--	--	---------	--

MANDRINI / ATTACCHI
CHUCKS & CLAMPING SYSTEM

RICAMBI E LAVORAZIONI SUPP.
SPARE PARTS & ADD. WORKING

Flange Zero System per truciolatori

Schnellspannsystem

Porte-outil Zero System

Фланец Zero System для измельчителей



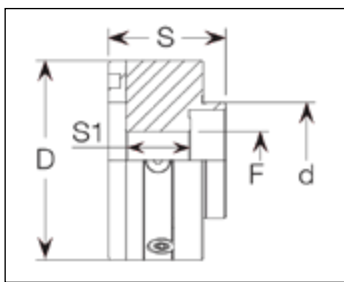
BZYS ZERO SYSTEM tool holder for hoggers



Ottenuta da acciaio di ottima qualità • Il sistema ZERO SYSTEM permette di correggere oltre ai problemi di planarità e di equilibratura anche quelli di eccentricità • Garantisce un'ottima qualità di lavorazione abbinata ad un'elevata durata dell'utensile • Utile da impiegare su qualsiasi tipo di macchina ma particolarmente indicata su macchine non perfettamente a punto

Obtained from a high quality steel • ZERO SYSTEM allows to resolves problems of alignment on the side, balancing and eccentricity • Provides excellent quality processing combined with long tool life • Suitable for any type of machine, especially for those not perfectly in place

● = Ready in stock ■ = Delivery time 20 working days △ = On request



D	S	S1	F	Fix. bore	d	Code	€
138	80	44	35	8/M8/120	80	■ BZYS013835AA	
138	80	44	40	8/M8/120	80	■ BZYS013840AA	
138	76,7	44	35	8/M8/120	MW80	■ BZYS013835AB	
138	76,7	44	40	8/M8/120	MW80	■ BZYS013840AB	
Spec.						BZYS099	

TAGLIO / SEZIONATURA
SAWING

DIAMANTE
DIAMOND

FRESATURA
CUTTING

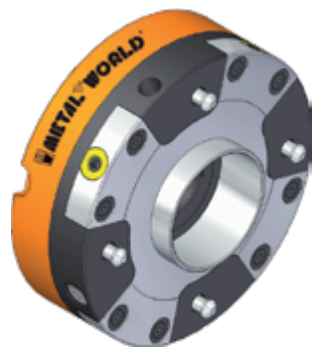
Attacchi rapidi pneumatici Zero System per truciolatori

Schnellspannsystem

Système de serrage rapide Zero System

Фланец гидро Zero System для измельчителей

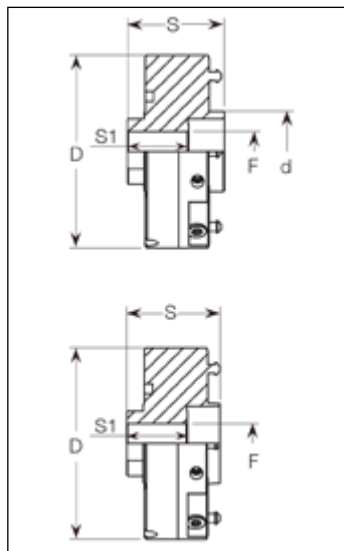
BRSZ ZERO SYSTEM pneumatic quick realize system for hoggers



Ottenuti da acciaio di ottima qualità • Consentono la sostituzione rapida degli utensili • Sistema pneumatico: ottima stabilità e precisione degli utensili • Sistema ZERO SYSTEM: riduce i problemi derivati da equilibratura, planarità ed eccentricità • Garantiscono un'ottima qualità di lavorazione abbinata ad un'elevata durata dell'utensile

Obtained from high quality steel • Easy change tools • Pneumatic system: high stability and precision of the tools • ZERO SYSTEM: resolves problems coming from alignment on the side, balancing and eccentricity • Provides excellent quality' processing combined with long tool life

● = Ready in stock ■ = Delivery time 20 working days △ = On request



D	S	S1	F	Pins	d	Code	€
160	96	60	35	4/130	60	■ BRSZ016035AA	
160	96	60	40	4/130	60	■ BRSZ016040AA	
192	96	60	35	4/130	80	■ BRSZ019235AA	
192	96	60	40	4/130	80	■ BRSZ019240AA	

D	S	S1	F	Pins	d	Code	€
192	92,7	60	35	4/150	80	■ BRSZ019235AB	
192	92,7	60	40	4/150	80	■ BRSZ019240AB	

Spec.						BRSZ099	
-------	--	--	--	--	--	---------	--

SPARE PARTS

Type	Code	€
Pneumatic hose	■ BSETRACCORDO	

PANTOGRAFATURA
ROUTING

FORATURA
BORING

MANDRINI / ATTACCHI
CHUCKS & CLAMPING SYSTEM

RICAMBI E LAVORAZIONI SUPP.
SPARE PARTS & ADD. WORKING



PROFESSIONAL TOOLS ALL OVER THE WORLD